

1 MECHANICAL EQUIPMENT

Whisperflo Pumps by Pac Fab

These pumps are very quiet and efficient. Flows are high for the HP. They work well with fiberglass filters because the shut off head is low at 45 psi.

Model #	HP	Volts	PH	Price
011511	1/2	115/208/230	1	\$674.31
011512	3/4	115/208/230	1	\$822.51
011513	1	115/208/230	1	\$888.58
011514	1 1/2	208/230	1	\$976.27
011515	2	208/230	1	\$1147.93
011516	3	208/230	1	\$1479.68

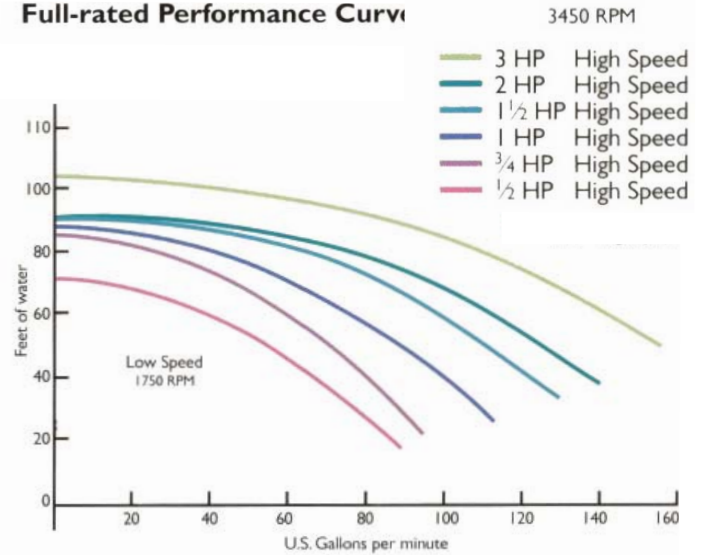
*3 Phase Motors and other Voltages available on request

*For 575 Volt, 3 phase pumps please purchase as follows. Pumps will be shipped unassembled, so motor rotation can be checked before assembly.

Model #	HP	Description	Price
Varies	3/4-3	Wet end - Custom Order	\$645.65
Varies	3/4-3	Motor only - Custom Order	POR

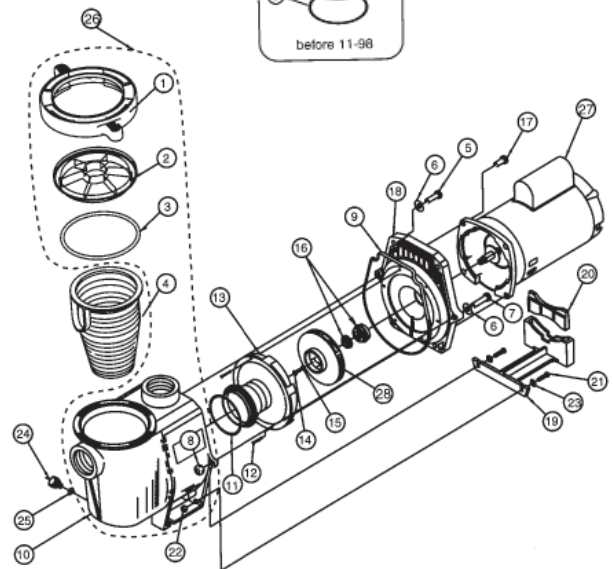
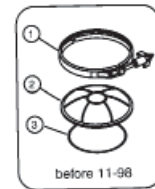


Full-rated Performance Curve



Whisperflo Pump Parts

Dia #	Part #	Description	Price
1	357150	Clamp Ring-plastic	\$55.05
2	357151	Lid	\$41.10
3	350013	Lid O-ring	\$3.55
4	070387	Basket	\$22.75
5	070430	Bolt, 3/8-16 X 1.25	\$2.89
6	072184	Washer 3/8	\$1.75
7	070431	Bolt, 3/8 X 1.75	\$3.15
8	071403	Nut, 3/8	\$1.75
9	357102	Gasket-seal plate	\$7.15
10	357157	Volute-black	\$260.45
11	355227	O-ring	\$3.69
12	071660	Set Screw	\$3.69
13	072927	Diffuser, 1/2 to 2 1/2 hp	\$87.40
13	072928	Diffuser, 3 hp	\$104.05
14	071652	Set Screw	\$3.02
15	075713	Rubber Washer	\$1.76
16	PS 1000	Mechanical Seal	\$9.70
17	070429	Bolt, 3/6-16 X 7/8	\$3.25
18	350202	Seal plate Kit, incl #16	\$229.85
19	070336	Foot	\$43.70
20	357160	Foot Insert	\$22.76
21	071657	Screw, 1/4-20 X 1	\$1.76
22	071406	Nut, 1/4	\$1.76
23	072183	Washer, 1/4	\$1.76
24	357161	Drain plug	\$4.60
25	074629	Gasket	\$1.76
27	varies	Motor, supply HP, volts, & ph	POR
28	varies	Impellor, supply HP	\$114.58



Whisperflow pumps with built in Variable Speed drives

The motors used in these pumps are permanent magnet motors for maximum efficiency, and are TEFC for water protection. CSA approved.

Model #	Description	Price
011055	0-3HP, 230v & 1ph, 8 speeds w/timers	\$1804.95
011017	0-3HP, 230v & 1ph, infinite speeds & built Safety Vacuum Release System	\$1965.50
011012	0-3HP, 230v & 1ph, infinite speeds & can be set to maintain a flow rate	\$2384.79



Variable Frequency Drives (VFD)

VFD solutions for your facility. Their purpose is to maximize the energy efficiency of your motors by only feeding the energy required to meet your designed flow rates. As an example a 20% reduction in pump speed will yield you an approximate 50% reduction in energy usage. Any facility that uses valves to throttle a too large pump or one that runs at a higher flow rate than mandated by the health authorities can benefit from this technology. VFD's can be tied directly to flow meters that have digital output so that they can adjust flow on the fly during the filter cycle. They also can have optional communication modules to connect to BMS systems through common protocols. Many models also incorporate ramping on start up (or soft start) which reduces air hammer and pressure issues downstream. This can prolong the life of other equipment like filters in your facility. For quotes on options not listed below please call with your requirements.

Lenze SMV Series Features: NEMA 1 (IP31) Indoor Enclosure, programmable, 1 output relay, 3 digital inputs, 1 analog input, (0-10v or 4-20ma), 1 analog output.

Model No	HP	Description	Price
ESV420N02TXB	5HP	Lenze SMV Series, 240v, 3ph	POR
ESV552N02TXB	7.5HP	Lenze SMV Series, 240v, 3ph	POR
ESV752N02TXB	10HP	Lenze SMV Series, 240v, 3ph	POR
ESV113N02TXB	15HP	Lenze SMV Series, 240v, 3ph	POR
ESV153N02TXB	20HP	Lenze SMV Series, 240v, 3ph	POR
ESV402N04TXB	5HP	Lenze SMV Series, 480v, 3ph	POR
ESV552N04TXB	7.5HP	Lenze SMV Series, 480v, 3ph	POR
ESV752N04TXB	10HP	Lenze SMV Series, 480v, 3ph	POR
ESV113N04TXB	15HP	Lenze SMV Series, 480v, 3ph	POR
ESV153N04TXB	20HP	Lenze SMV Series, 480v, 3ph	POR
ESV402N06TXB	5HP	Lenze SMV Series, 575v, 3ph	POR
ESV552N06TXB	7.5HP	Lenze SMV Series, 575v, 3ph	POR
ESV752N06TXB	10HP	Lenze SMV Series, 575v, 3ph	POR
ESV113N06TXB	15HP	Lenze SMV Series, 575v, 3ph	POR
ESV153N06TXB	20HP	Lenze SMV Series, 575v, 3ph	POR

Options available: NEMA 4X, (IP65) enclosures, disconnect switches, other voltages, more interconnect features.

Brands available: Lenze, ABB, Pentair, & Neptune Benson



LENZE SMV



LENZE SMV IN IP31 ENCLOSURE



LENZE SMV IN IP65 WITH OPTIONAL DISCONNECT



LENZE VFD IN IP65 ENCLOSURE