

Stainless Hose Caddy

The Hose Caddy is designed to store vacuum hose. The Hose Caddy is made of 304 stainless steel and holds up to 75 feet of 2 inch diameter hose or 175 feet of 1 1/2" hose. Hose caddy is all stainless construction. It saves money by eliminating wear caused from dragging vacuum hose on deck. Design makes hose easy to handle and convenient size makes it easy to move around and to store (goes thru doorways). **FOB Factory**
 Dimensions: 30" L x 26" W x 33" H

Model	Description	Price
12500	Hose Reel	\$1138.05

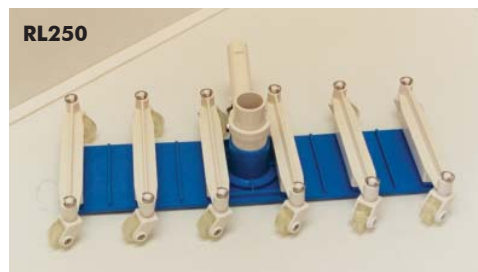


VACUUM HEADS

Economy Commercial Pool Vac

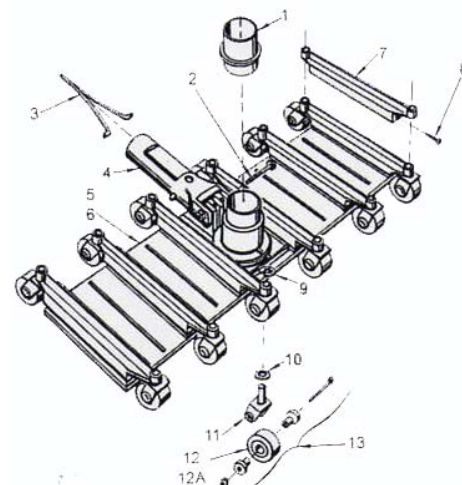
RL 250 is an economy vacuum head designed for commercial pools. Commercial pool features include: adjustable polyurethane wheels, 19" body, fits either 1 1/2" or 2" hose and swivel adaptor (for 1 1/2" only) allows hose to move freely without twisting. Snap-adapt handle fits onto pole easily and all parts can be replaced as needed.

Model No	Description	Price
R201126	19" wide polyethylene vacuum head, swivel wheels. Fits 1 1/2" or 2" hose. Economy Vacuum Head RL 250	\$172.85



Parts Vac Head RL250

Model No	Dia. #	Description	Price
R201566	#1	Swivel Adapter	\$5.75
R22001	#3	Delrin spring clip	\$1.90
R201476	#4	Snap-Adapt handle (Plastic)	\$5.00
R201408	#4	All metal (steerable) Snap-Adapt *152	\$43.00
R03032	#7	Castor Support	\$7.45
R03058	#9	SS Retainer clip	\$7.45
R201626	#10	Adjustment washers (set of 8)	\$3.15
R03026	#11	SwivelCastor	\$7.45
R03021	#12	Platic Wheel	\$2.35
R201606	#13	Axle Assembly	\$4.20



Herculean 18" Vacuum Head

There are two identical models of this heavy duty commercial vacuum head. The chrome plated brass (CPB) model is the most expensive, most durable and heaviest model. The anodized aluminum (AL) version is cheaper and lighter, but otherwise identical, and uses the same parts. The wipers, brush and wheels are height adjustable, and the brush is spring loaded. Please specify 1 1/2" or 2" vacuum hose inner diameter with order.

Item No	Description	Price
14 13 01	Herculean Vacuum Head	\$528.10
14 13 02	Replacement tires (4)	\$52.85
14 13 03	Replacement brush	\$121.85
14 13 04	Replacement wipers (2)	\$23.75
14 13 05	Wheel Eccentric (4) (White Nylon)	\$43.50
14 13 06	1 1/2 or 2" Hose Adaptor	\$73.05
14 13 07	Herculean Vacuum Head (AL)	\$396.25



4 MAINTENANCE & CLEANING EQUIPMENT



Fairlocks Vacuum Head

Streamlined shape allows the Fairlocks head to move across the pool bottom at a good pace with little or no stirring up of debris. Its body design articulates at the center allowing it to get right into corners. This 19 inch vacuum head is 100% polycarbonate making it tough enough for commercial pool use yet light to move or lift off the bottom. Supplied with 1½" & 2" hose fittings.

Model No	Description	Price
Fairlocks	Commercial Vacuum Head	\$270.65

Fairlock Vacuum Head Parts

P1	Handle	\$50.35
P2	Centre body	\$34.75
P3	Flap	\$49.50
P8	Weight	\$89.45
P26	Adaptor cuff 2 x 1½	\$13.40

Fairlocks Parts Packages

"A" Pack	Flap Seal Kit	\$41.80
"B" Pack	Fasteners for P1 Handle	\$9.65
"C" Pack	2 Large Replacement Wheels (for center body)	\$14.60
"D" Pack	Brush Kit	\$63.00
"E" Pack	1 Small Wheel with hardware (used on flaps)	\$11.35
"F" Pack	3 Small Replacement Wheels only (used on flaps)	\$11.75
"G" Pack	Hardware For 2 Large Wheels (C Pack wheels)	\$14.15

