

SPECIALTY MAINTENANCE PRODUCTS:



POOL CLOSED FOR MAINTENANCE

BARRIER TAPE

Safe-T-Tread - by 3M

Sometimes called grip tape it has many uses around a pool. 3M's product is still the best, it is a peel and stick material that can be used virtually any place a slip hazard needs to be eliminated. Use it on walkways, step treads slippery tiles and some customers have used it on the end of an old dive board.

Product is supplied in various widths in rolls of 60 feet. There are two techniques for success with Safe-T-Tread at an aquatic center. First the product will work in wet areas (even under water) if 3M's Edge Seal is used to prevent water migrating underneath. And second, always cut corners to round since 90° corners seem to peel up easier.

Item No	Description	Price
12 01 30	2" x 60' roll (black only) 3M	\$126.50
12 01 31	4" x 60' roll (black only) 3M	\$238.50
12 01 32	Edge Seal (100 ml tube) 3M	\$29.95
12 01 33	12" wide - per foot - black only 3M	\$14.95
12 01 43	Pool Closed For Maintenance Barrier Tape, 3" x 750'	\$59.05

Stainless Steel Treatment - Cleaning & Corrosion Prevention

Stainless Steel, over time form a passive layer of chromium that prevents surface corrosion and rust, making the material more resistant to corrosion the older it gets. Spectrum pool products as of 1 January, 2010 also come treated with an exclusive product called Spectra Shield, which works by coating the Stainless Steel, further increasing its corrosion resistance. It is an undetectable, microscopic coating that cannot be removed by water or cleaning. The best news is, it can be applied to older stainless steel, once it has been cleaned and dried, to increase its corrosion resistance and reduce cleaning requirements.

Spectrum System 1 is a liquid cleaner for pitted or stained (rusty) stainless and Spectrum System 2 Gel is a similar cleaner, only thicker for use on vertical surfaces. It needs to cling allowing time for the chemical to do the work. Apply the cleaner, allow time for the product to dissolve the stains and rinse off with water. 3050 is a more concentrated form of the product used primarily for cleaning stainless steel boilers.



SPECTRA CLEAN SYSTEM 1 SPECTRA CLEAN SYSTEM 2 SPECTRA SHIELD

View Stainless Steel Care Information Sheets on our website.

Item No	Description	Price
12 01 37	Spectrum System 1 Refill 1 Gallon	\$129.35
12 01 42	Spectrum System 1 refill 5 Gallon	\$393.35
12 01 38	Spectrum System 2 Gel, 1 Gallon	\$147.75
12 01 39	3050 1 Gallon	\$169.95
12 01 40	3050 5 Gallons	\$552.10
12 01 41	Spectra Shield #57373 1 Gallon	\$235.00

3M Plastic Scrubbies

Item No	Description	Price
12 01 26	Fine Stainless Grade Scrubby White (Use where corrosion has not broken surface of stainless)	\$36.95 (10 pieces) \$166.30 (box of 60)
12 01 27	Medium Stainless Grade Scrubby Maroon (Use where corrosion has got hold)	\$38.85 (10 pieces) \$174.65 (box of 60)

A/B Epoxy Putty

This is an excellent product for aquatic centers. A/B Putty hardens in wet areas (even under water) and adheres very well to virtually any substrate. Uses around an aquatic center include: temporary patch on a filter, refasten a tile that has come loose (change room floor or under water), filling a crack in pool concrete, etc.

Item No	Description	Price
12 01 10	14 oz Epoxy Putty	\$24.25



Magic Lube II

Magic Lube II is a high quality silicone lubricant that does not dry or deteriorate from contact with chlorinated water. It works very well on both metal and plastics, providing both corrosion protection and lubrication.

Recommended as a lubricant on all stainless bolts/fasteners used on deck and deck equipment. Just a dab on the threads prevents corrosion and to ensures bolts will come apart down the road when needed.



Item No	Description	Price
12 01 21	5oz tube magic lube II	\$24.95

COMMERCIAL POLES AND ACCESSORIES

Poles

Model No	Description	Price
#5432	HD 3 piece telescopic pole*	\$315.25

*Pole extends from 9' to 24', and comes with an 8' extension. Can be used with or without extension. As with all the poles the end is a standard size to fit with all brushes and skimmers

R191090	Aluminum Telescopic Pole 12' - 24'	\$100.00
R191046	Telescopic pole 8' - 16'	\$59.00
R191106	1 piece pole 12'	\$45.00



SKIMLITE POLE



Pole Parts/Accessories

Model No	Description	Price
RL803	Metal cams for telescopic pole	\$15.00
RL170	Replacement Delrin spring clips	\$2.25
BE7201	Anodized aluminum pole hangers (pair)	\$12.75



RL803

Leaf Skimmers and Rakes

Model No	Description	Price
RL126	Flat Heavy Duty Skimmer, 3/8" Solid Aluminum Anodized Frame	\$30.00
RL122	Deep Net Leaf Rake, 3/8" Solid Aluminium Frame	\$39.00



RL126

RL122

Thermometers

All plastic thermometers use no glass and no mercury making it a safe choice for around the pool.

Model No	Description	Price
127BP	Thermometer	\$12.95



4 MAINTENANCE & CLEANING EQUIPMENT



BRUSHES

Algae Brushes

Stainless steel bristles and snap adaptor handles.

Model	Description	Price
RL604A	6" Algae Brush	\$24.00
RL709	9" Algae Brush S.S. Bristles	\$30.00
RL712	12" Algae Brush S.S. Bristles	\$35.75
RL718	18" Algae Brush S.S. Bristles	\$49.00



Pool Brushes

All have Poly bristles.

Model	Description	Price
RL902	18" Pool Brush	\$22.00
RL905	24" Blue Nylon Bristles, Curved	\$47.00



Brushes for Cleaning

Model	Description	Price
582T-10	10" Acid Brush, no pole	\$19.50
582BL-10	10" Blue Deck Brush, no pole	\$19.95
54PT	handle for acid or deck brush, threaded	\$9.75

POOL VACUUM ACCESSORIES

Vacuum Hoses

Item No	Description	Price
WABWHD-1.5	1 1/2" D x 50' L Commercial HD Vacuum Hose	\$195.00
WABWHD-2	2" D x 50' L Commercial HD Vacuum Hose FOB Factory	\$285.00
90122	1 1/2" Replacement hose cuff - End fitting	\$7.90
90921	2" Replacement hose cuff- End fitting	15.35
R221056	165 Hose Hangers - Pair - Plastic	\$10.60

PVC Lay Flat Discharge Hose

BD2105-25	25' by 1 1/2" ID Discharge Hose	\$18.60
BD2105-50	50' by 1 1/2" ID Discharge Hose	\$35.00
14 08 52	25' by 2" ID Discharge Hose	\$39.95
14 08 53	50' by 2" ID Discharge Hose	\$64.50
BD7208	SS Gear/Band Clamp 1 1/2"	\$2.25
BD7207	SS Gear/Band Clamp 2"	\$2.45

Hose to Wall Fittings

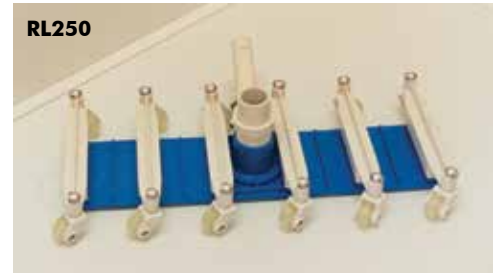
Item No	Description	Price
14 08 08	Plastic 1 1/2" MNPT x 1 1/2" Hose Barb	\$3.95
14 08 09	Plastic 2" MNPT x 2" Hose Barb	\$6.75

VACUUM HEADS

Economy Commercial Pool Vac

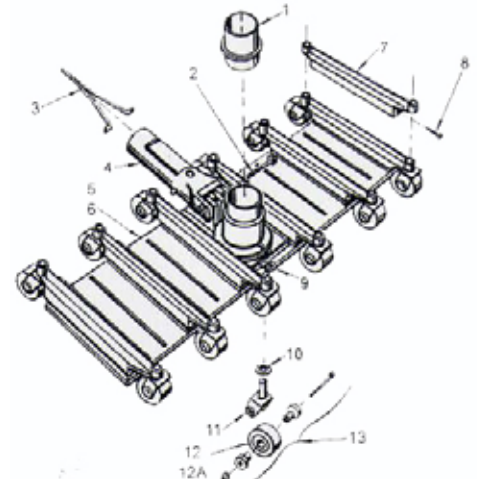
RL 250 is an economy vacuum head designed for commercial pools. Commercial pool features include: adjustable polyurethane wheels, 19" body, fits either 1½" or 2" hose and swivel adaptor (for 1½" only) allows hose to move freely without twisting. Snap-adapt handle fits onto pole easily and all parts can be replaced as needed.

Model No	Description	Price
R201126	19" wide polyethylene vacuum head, swivel wheels. Fits 1½" or 2" hose. Economy Vacuum Head RL 250	\$172.85



Parts Vac Head RL250

Model No	Dia. #	Description	Price
R201566	#1	Swivel Adapter	\$5.75
R22001	#3	Delrin spring clip	\$1.90
R201476	#4	Snap-Adapt handle (Plastic)	\$5.00
R201408	#4	All metal (steerable) Snap-Adapt *152	\$43.00
R03032	#7	Castor Support	\$7.45
R03058	#9	SS Retainer clip	\$7.45
R201626	#10	Adjustment washers (set of 8)	\$3.15
R03026	#11	SwivelCastor	\$7.45
R03021	#12	Platic Wheel	\$2.35
R201606	#13	Axle Assembly	\$4.20



Herculean 18" Vacuum Head

There are two identical models of this heavy duty commercial vacuum head. The chrome plated brass (CPB) model is the most expensive, most durable and heaviest model. The anodized aluminum (AL) version is cheaper and lighter, but otherwise identical, and uses the same parts. The wipers, brush and wheels are height adjustable, and the brush is spring loaded. **Please specify 1½" or 2" vacuum hose inner diameter with order.**

Item No	Description	Price
14 13 01	Herculean Vacuum Head(CPB)	\$697.50
15016	Replacement tires (4)	\$57.85
15012	Replacement brush	\$121.85
15017	Replacement wipers (2)	\$23.75
15015	Wheel Eccentric (4) (White Nylon)	\$43.50
15003	1 1/2 or 2" Hose Adaptor	\$73.05
14 13 07	Herculean Vacuum Head (AL)	\$515.25



4 MAINTENANCE & CLEANING EQUIPMENT



Fairlocks Vacuum Head

Streamlined shape allows the Fairlocks head to move across the pool bottom at a good pace with little or no stirring up of debris. Its body design articulates at the center allowing it to get right into corners. This 19 inch vacuum head is 100% polycarbonate making it tough enough for commercial pool use yet light to move or lift off the bottom. Supplied with 1½" & 2" hose fittings.

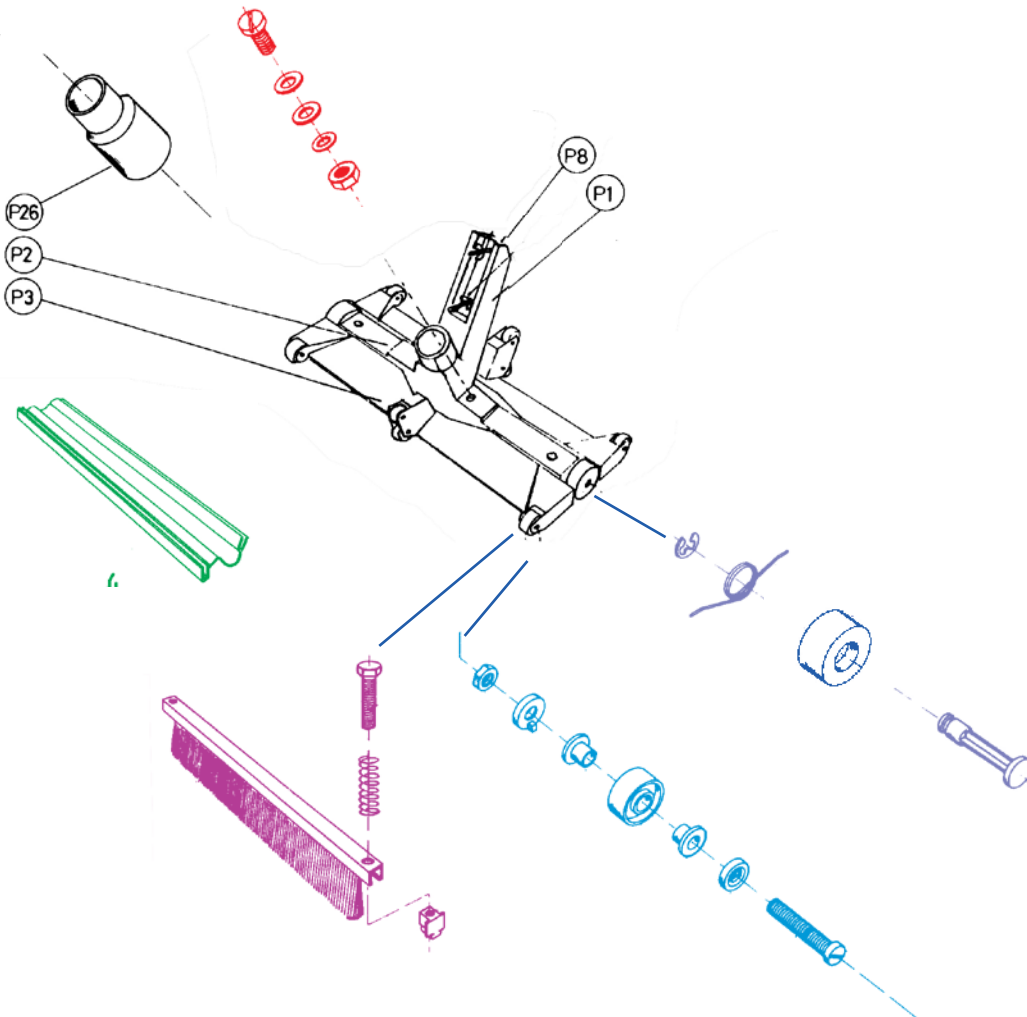
Model No	Description	Price
Fairlocks	Commercial Vacuum Head	\$270.65

Fairlock Vacuum Head Parts

P1	Handle	\$50.35
P2	Centre body	\$34.75
P3	Flap	\$49.50
P8	Weight	\$89.45
P26	Adaptor cuff 2 x 1½	\$13.40

Fairlocks Parts Packages

"A" Pack	Flap Seal Kit	\$41.80
"B" Pack	Fasteners for P1 Handle	\$9.65
"C" Pack	2 Large Replacement Wheels (for center body)	\$14.60
"D" Pack	Brush Kit	\$63.00
"E" Pack	1 Small Wheel with hardware (used on flaps)	\$11.35
"F" Pack	3 Small Replacement Wheels only (used on flaps)	\$11.75
"G" Pack	Hardware For 2 Large Wheels (C Pack wheels)	\$14.15



MANUAL POOL VACUUMS

Portable Vacuum - on stainless cart:

Savage Vacuum pump features a stainless steel cart and a StaRite 1 HP pump. The unit is supplied with 50 foot cord, waterproof switch and plugs into a standard 115 volt outlet. Suction is 1½ inch complete with check valve discharge is fitted with a gate valve and hose bib for priming.

Also available in 1½ & 2 HP using 2 inch suction and discharge; 30 to 60% more flow makes vacuuming quicker, saving money over time.

Note: vacuum head, pole and hose are sold separately. **FOB Factory**

Item No	Description	Price
11100	Savage Vacuum 1 HP(115 V) 1½ "	\$2595.75
11110	Savage Vacuum 1½ HP (230) 2"	\$2853.35
11120	Savage Vacuum 2 HP (230V) 2"	\$2920.70



Portable Vacuum with Filter

BKP vacuum cart is an excellent design. This vacuum is compact, sturdy and stable yet has a very small footprint; 20 inches wheel to wheel which makes it easy to wheel through doorways and store when not in use. The BKP component list includes: stainless filter, StaRite pump, stainless steel cart and non-marking tires. One HP unit uses a 105 sq foot filter (5000 g/h) and 2 HP use 155 sq. ft. filter (8000 g/h). **FOB Factory**

Item No	Description	Price
10700	BKP Vacuum 1 HP(110 V) 1½ "	\$3762.80
PLE-PH105	Replacement 105 sq ft cartridge	\$193.75
10720	BKP Vacuum 2 HP (220V) 2"	\$4151.20
PLE-PH155	Replacement 155 sq ft cartridge	\$292.05



Pricing, product information & delivery for gas powered vacuums up to 5 HP available on request.

Portable Vacuum with Filter

This is an economy version of the manual vacuum cart with a filter. It comes with a ¾ HP SuperFlo pump set up for 115 volt single phase operation and a 100 square foot cartridge filter. Should be used with vacuum heads which are a maximum of 19" wide, and set up for 1 ½" vacuum hose. The cart is powder coated steel, with rubber wheels and 100' of electrical cord. Vacuum head, hose and pole sold separately. **FOB Factory**

Item No	Description	Price
WIPFVPC	Portable Filter Vacuum Pump Cart	\$2511.00
PLE-051-9130	Replacement Filter Cartridge	\$174.60



ROBOTIC VACUUM LINE

Maytronics Robotic Vacuum Line

Maytronics has been making robotic pool cleaners for longer than just about anyone else and it shows in the attention to the finer details of operation. All units are zero depth compatible and come with a tangle free swivel cord. There are two major lines which are the Wave line and the Classic line.

The Wave line carries the better warranty of 36 months or 3000 hours of use, the new gyroscopic motor and has remote controls for superior operation. There are options that will fit all pools from a large hotel pool to the largest Olympic competition facility. The 300XL even includes the option of self entry and emergence as well as programmable cleaning paths.

The Classic line is as it has been for years and compatible with many of the units out in the marketplace from a part perspective. They are proven in the field over more than 10 years in their current configuration.

Simply choose the cycle time, cord length and control method on the robot that is best sized for you pool. Feel free to call for advice if you need any help choosing a model for you facility.

Dolphin HD by Maytronics

- Cord Length 78'
- Cord Swivel included
- Wall Climbing yes
- Air Sensor yes
- Filter Bag fine
- Cycle Time 4 hours
- Remote no
- Caddy Cart & transformer included
- Warranty 1 year, bumper to bumper



Price \$2,238.63

Wave 75 by Maytronics

- * Cord Length 75'
- * Cord Swivel included
- * Wall Climbing yes
- * Air Sensor yes
- * Filter Bag fine
- * Cycle Time 2 & 3 & 4\ hours
- * Remote yes
- Caddy Cart & transformer included
- Warranty 3 year, bumper to bumper



Price \$2,556.00

Dolphin 3001 by Maytronics

- Cord Length 91'
- Cord Swivel included
- Wall Climbing yes
- Air Sensor yes
- Filter Bag fine
- Cycle Time 6 hours
- Remote no
- Caddy Cart & transformer included
- Warranty 1 year, bumper to bumper



Price \$3,292.98

Wave 100 by Maytronics

- Cord Length 115'
- Cord Swivel included
- Wall Climbing yes
- Air Sensor yes
- Filter Bag fine
- Cycle Time 4 & 6 & 8 hours
- Remote yes
- Caddy Cart & transformer included
- Warranty 3 year, bumper to bumper



Price \$4,728.60

Wave 3000 XL by Maytronics

- Cord Length 141'
- Cord Swivel no
- Wall Climbing no
- Air Sensor no
- Filter Bag fine & coarse
- Cycle Time 1-8 hours
- Remote yes
- Caddy Cart & transformer included
- Warranty 2 year, bumper to bumper



Price \$14,058.00

Dolphin Caddy

9996098 - Assy
Price 195.00



Tiger Shark 2

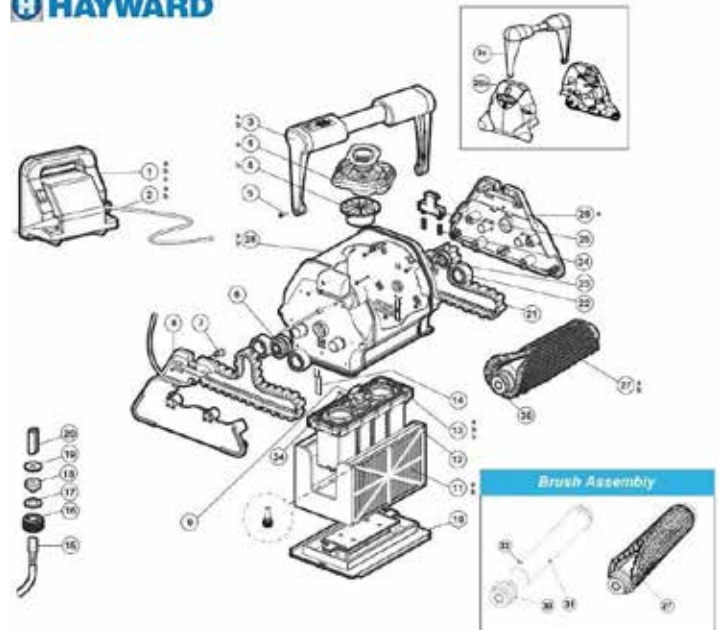
The Tiger Shark 2 is very similar to a Dolphin 3001. The two key differences are the lack of the Beachfront Entry Feature and the cord swivel. The makers of the Tiger Shark 2 have chosen to adopt a program of small changes to improve product durability and as these features were problematic they have been deleted for improved reliability. The current Tiger Shark 2 comes with a caddy cart, 100' cord, ac power supply/transformer, cartridge filter and 7 hour motor cycle. The unit is CSA approved. **The warranty is 1 year**, and excludes consumables, specifically the drive tracks, drive bearings and filter cartridge.



Model No.	Description	Price
RCX9956	Tiger Shark 2	\$2138.75

TIGER SHARK 2 PARTS

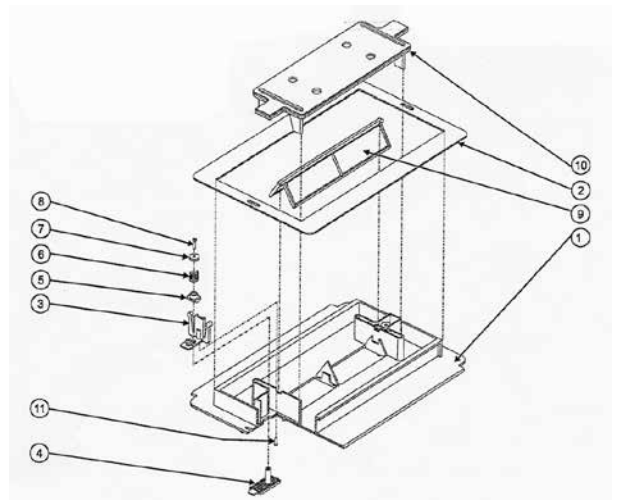
Part No	ID#	Description	Price
RCX97453	#1	Power Supply	\$380.00
RCX50110	#2	100' Floating Cord	\$373.00
RCX31009	#28	Amphenol Connector	\$45.70
RCX76000	#3	Handle Assembly - Teal- Old	\$77.00
RCX97007	#3C	New Style-Grey Handle	\$80.00
RCX11208	#4A	Venturi Assbly - New Style	\$34.00
RCX12011	#5	Handle Screw T5 X 20	\$6.05
RCX26001	#6	Idler Pulley	\$55.00
RCX14000	#7	Handle Slide	\$7.40
RCX12001	#8	Side Plate Screw M4 X 12	\$5.25
RCX11000	#9A	Impellor	\$18.25
ACX12002	#9B	Screw M4x2	\$5.25
RCX75000	#10	Bottom Lid Assembly	\$93.00
RCX70101	#11	Cartridge Refill (2)	\$87.00
RCX70100	#12	Frame with Filters	\$156.00
RCX41000DC	#13	Motor Unit 7Hour	\$741.00
RCX11400	#14	Lid Clip	\$7.50
RCX59006	#15	Connector	\$2.80
RCX59004	#16	Sealing Nut	\$6.25
RCX12302	#17	Plastic Washer - large hole	\$3.90
RCX59003	#18	Rubber Seal	\$9.95
RCX12301	#19	Plastic Washer small hole	\$3.90
RCX59002	#20	Connector Housing	\$5.90
RCX23002	#21	Drive Track	\$51.00
RCX26000	#22	Track Guide Wheel	\$41.25
RCX26002	#23	Drive Pulley	\$49.00
RCX12100	#24	Spring-handle latch	\$4.95
RCX14100	#25	Handle Latch	\$8.70
RCX97201	#26	Side Cover - Old Style - Light Grey	\$33.00
RXC97201	#26B	New Style Side Cover - Dark Grey	\$36.00
RCX26008	#27	Roller Brush	\$39.00
RCX 13001	#28	Main Case	\$183.15



Bottom Lid Parts

Note: These also fit Old Style Dolphin Bottom Lids

Part No	ID#	Description	Price
RCX75001	#1	Lid Base	\$38.50
RCX78005	#2	Gasket	\$33.00
RCX75002	#3	Clip Support	\$5.25
RCX75003	#4	Locking Plate	\$7.25
RCX75004	#5	Clip Follower	\$2.35
RCX12101	#6	Spring	\$4.95
RCX12101	#7	Spring Retainer	\$2.45
RCX12008	#8	Screw	\$2.65
RCX75005	#9	Inlet Flap	\$8.95



Part No.	ID#	Description	Price
Wheel Tube Parts			
RCX26004	#31	Wheel Tube	\$18.60
RCX26005	#30	Wheel Tube Bearing	\$41.00
RCX3406	#33	Screw #4 x 3/8 Flat	\$2.35

AQUA PRODUCTS ROBOTIC VACUUM LINE

Aqua Products is probably the second largest robotic pool vacuum manufacturer in the world, with a 30 year track record and is USA based. They make a very modern and comparable vacuum to all the others in the market place with an emphasis on using modern technology, brushless motors, durable materials of construction, customizable running times, gyro based programming on some models, and unitized construction for ease of maintenance. With the ability to program run times, and the long cords these units can be customized to work in any pool. Check and compare features, cord lengths and prices.

DuraMax Junior TRC by Aqua Products

- Cord Length 100'
- Cord Swivel included
- Wall Climbing yes
- Air Sensor yes
- Filter Bag fine
- Cycle Time 1-7 hours or continuous
- Remote yes
- Caddy Cart & transformer included
- Warranty 2 year, First year bumper to bumper

Price \$2,063.97



DuraMAX RC by Aqua Products

- Cord Length 120'
- Cord Swivel yes
- Wall Climbing yes
- Air Sensor yes
- Filter Bag fine
- Cycle Time 1-7 hours or continuous
- Remote yes
- Caddy Cart & transformer included
- Warranty 2 year, First year bumper to bumper

Price \$4,151.37



AquaMax X2 by Aqua Products

- Cord Length 100'
- Cord Swivel none
- Programming Gyro
- Wall Climbing yes
- Air Sensor yes
- Filter Bag fine
- Cycle Time 1.5 & 2 & 2.5 hours
- Remote yes
- Caddy Cart & transformer included
- Warranty 2 year, First year bumper to bumper

Price \$3,727.50



AquaMAX X4 by Aqua Products

- Cord Length 150'
- Cord Swivel no
- Programming Gyro
- Wall Climbing yes
- Air Sensor yes
- Filter Bag fine
- Cycle Time 3 & 5 & 7 & 9 hours
- Remote yes
- Caddy Cart & transformer included
- Warranty 2 year, First year bumper to bumper

Price \$7,657.35



Ask about our Trade-in Program.

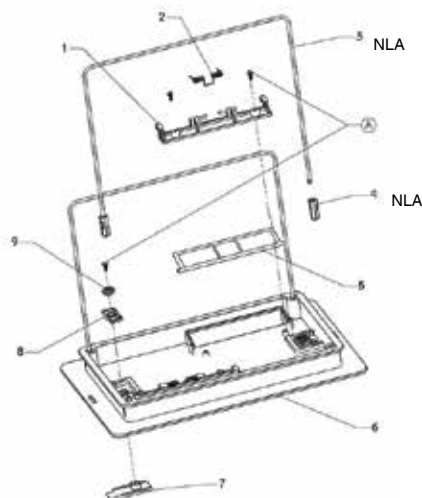
DOLPHIN PARTS LIST

Dolphin (3001) DC Diagnostic Parts List

Part	Dia. #	Description	Price
1353510		Bridge Rectifier for PS	\$11.75
9985007	*	Track New Style - Yellow	\$39.99
1811404	18	Cable Connector	\$1.66
3865005	10	Hex Adaptor SS	\$14.86
3884997	28	Guide Wheel	\$30.00
3917031	6	Handle Clip Spring	\$0.87
5000009	26	Amphenol Plug	\$36.00
6203703	16	Filter Screen	\$19.50
6101303	12	PVC Brush 3001 - red	\$21.00
9995430	14	Filter Bag	\$84.50
9981430	13	Filter Bag Clip	\$3.85
9985046	27	Track - old style	\$47.50
9985280	5	Non Return flap (for outer casing)	\$5.25
9985061	7	Handle Latch	\$3.78
9985065	8	Handle Arm Slide	\$1.29
3884073		Wheel tube bearing- New	\$28.00
9991279	18	Cable Connector Assembly - 3 pin	\$9.87
9995053	23	Side Plate - yellow with cable fitting	\$30.35
9985081	9	Side plate - no hole or fittings for cable	\$30.80
9995075	2	Impellor Tube - red	\$13.50
9995188	1	Outer Casing Yellow/Red	\$181.00
9995269	20	Impeller (Screw on top)	\$14.00
3883645	31	Drive Pulley - New - TT	\$35.00
9995678	32	Power supply	\$375.00
598412LF		Power supply cord 115v	\$25.00
GMA5		Power Supply Fuse	\$4.95
9995685	4	Handle Red & Yellow	\$48.00
9995741	3	Handle Float - yellow	\$17.75
9995359	19	3001 Diag Motor Unit	\$449.00
9995802		Cable Assembly with swivel 30M	\$449.00

Dolphin Bottom Lid-new style-spring loaded inlet flaps

Part #	Description	Price
9995550	Bottom lid assembly	\$49.00
9995892	Parts Kit for bottom lid	\$18.90



Caddy Cart Parts:

Part	Description	Price
9996098	33 Caddy Cart -complete	\$191.75
6101900	Handle for Caddy # 1	\$41.75
9996079	Wheel Assembly for Caddy #5	\$35.00
9986055	Hook for caddy # 2	\$14.00
9991098	Caddy Handle, New Style	\$45.00

Dolphin HD Parts

9995365	HD Motor Unit 4 hours	\$631.00
---------	-----------------------	----------

Dolphin HD uses all parts in common to 3001.

Dolphin Dynamic Pro X Parts

Pro X parts not listed below are in common with other models listed above

Part	Dia.#	Description	Price
9995747LF	30	Cable Assembly 3 Wire	\$575.00
99954226	40	RCU	\$140.00
9995178	38	Outer Casing	\$101.00
9995332-EX	23	Rblt Motor-Exchange	\$875.00
99955955	13	Wheel Tube Assembly	\$53.25
9985089	9	Pro X Side Plate no hole	\$31.00
9995051	25	Pro X Side Plate W/cable fit	\$31.00
6101635	12	PVC Brush	\$17.90

Wave 75 Parts

Part No	Description	Price
99957074	Handle	\$60.25
99951916	Outer Casing	\$113.25
9980630	Frame	\$37.00
99806415	Side Panel	\$9.75
99919117	Bottom Lid, bag	\$47.00
9991414	Bottom Lid, cartridge w/filters	\$174.00
9991425	Filters	\$110.00
9995369	Motor Assembly	\$555.00
9995678	Power Supply	\$375.00
9995875	Cable Assembly 80M c/w swivel	\$575.00

See page 58 for parts diagram.

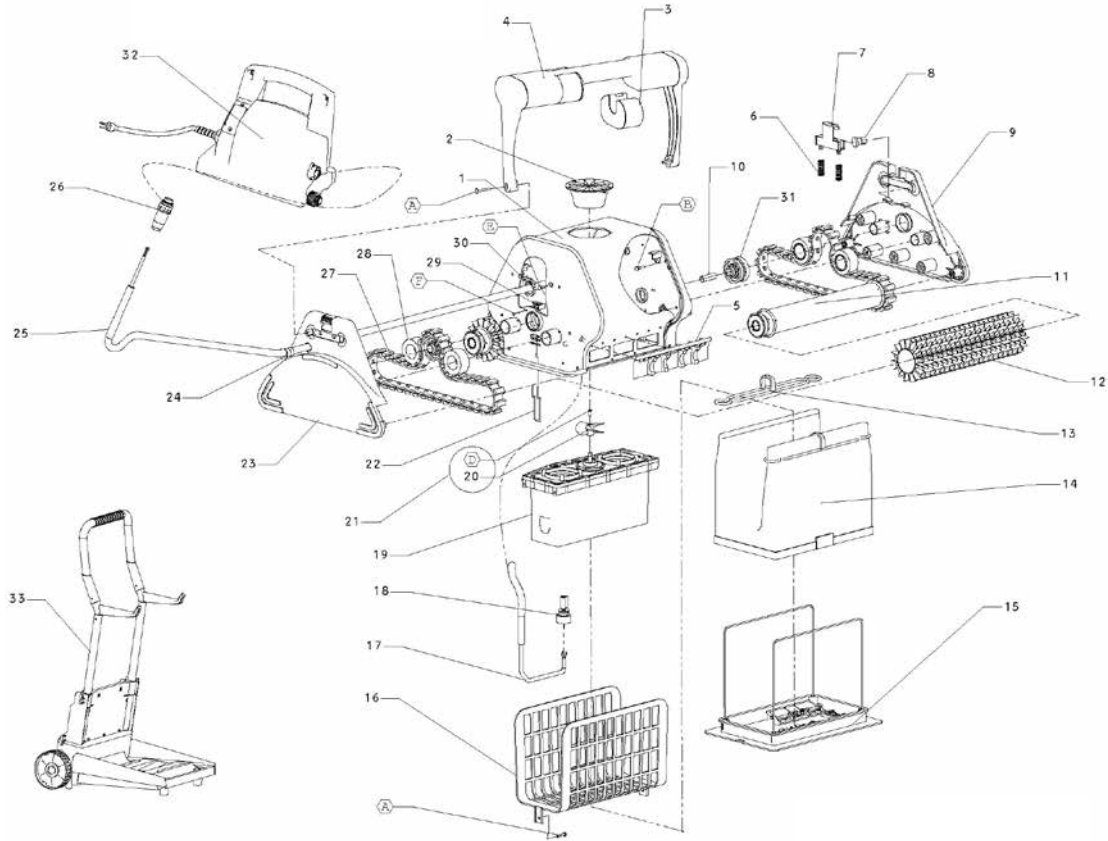
Wave 100 Parts

Part No	Description	Price
9995721	Handle	\$72.50
99954226-assy	Remote Control	\$147.00
9981091	Side Plate no hole #7	\$36.45
9995043	Side plate with hole #28	\$36.45
99951713	Outer Casing	\$181.00
9981044	Impellor Cover	\$9.00
9995755LF-assy	35M Cable assembly	\$725.00
9995671-us-assy	Power Supply	\$375.00

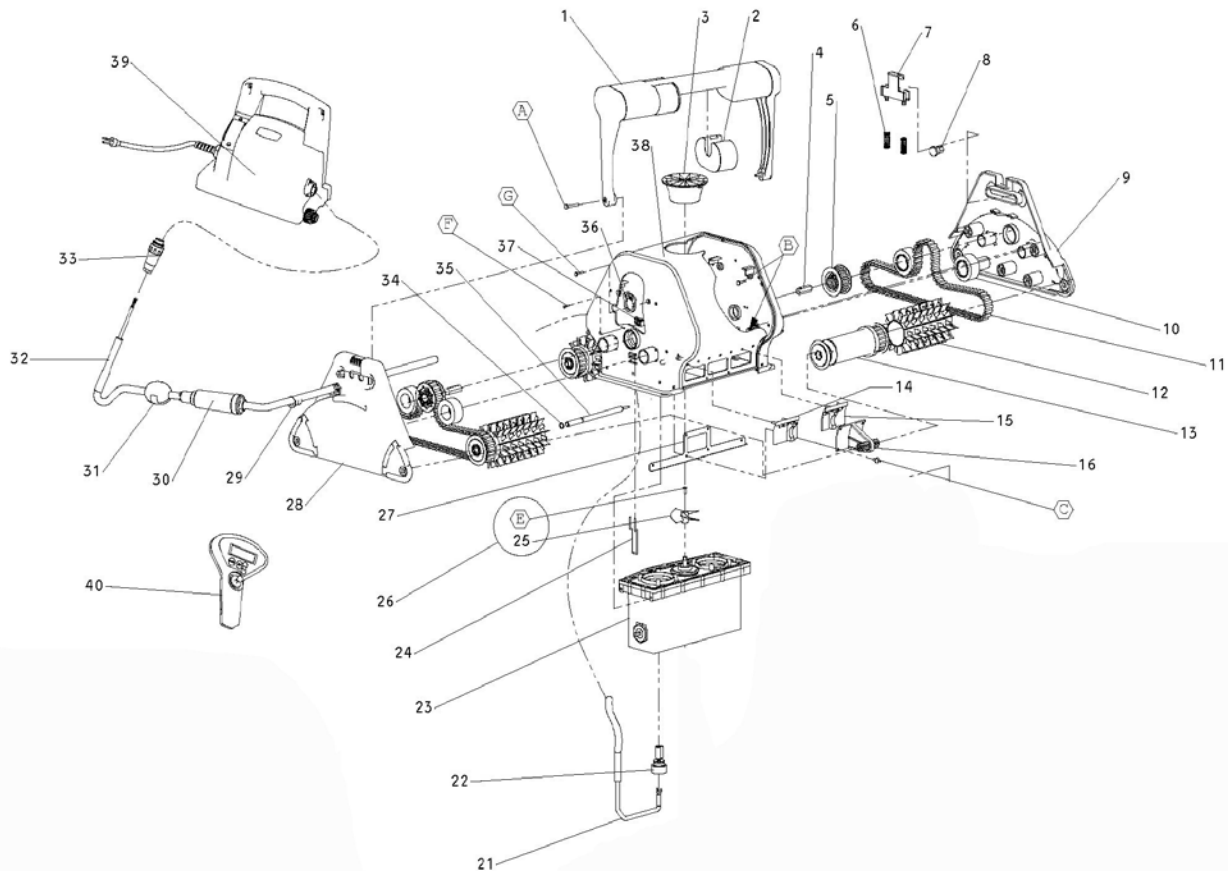
See following pages for Dolphin parts diagrams

4 MAINTENANCE & CLEANING EQUIPMENT

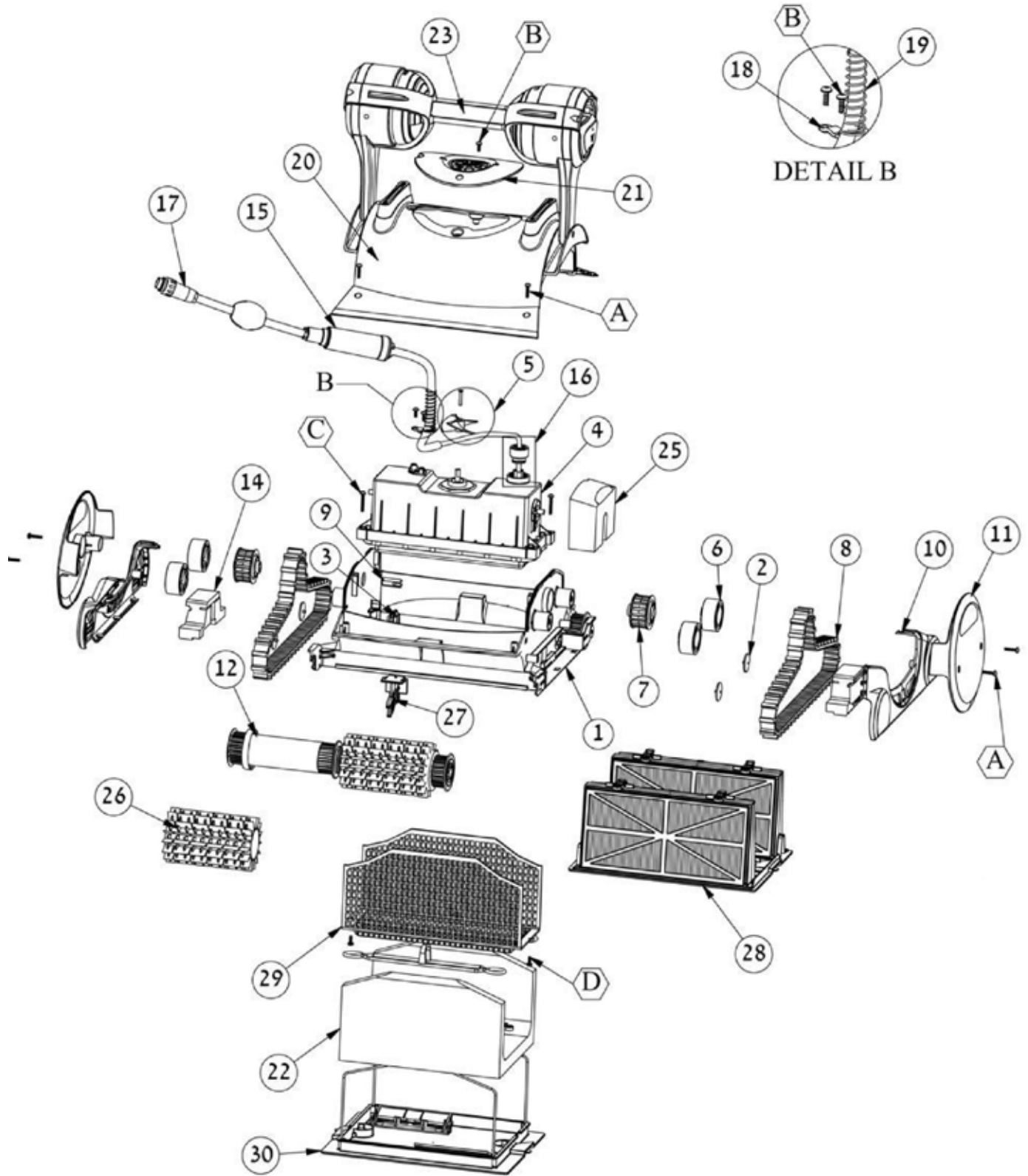
DOLPHIN DC DIAGNOSTIC (3001) & HD



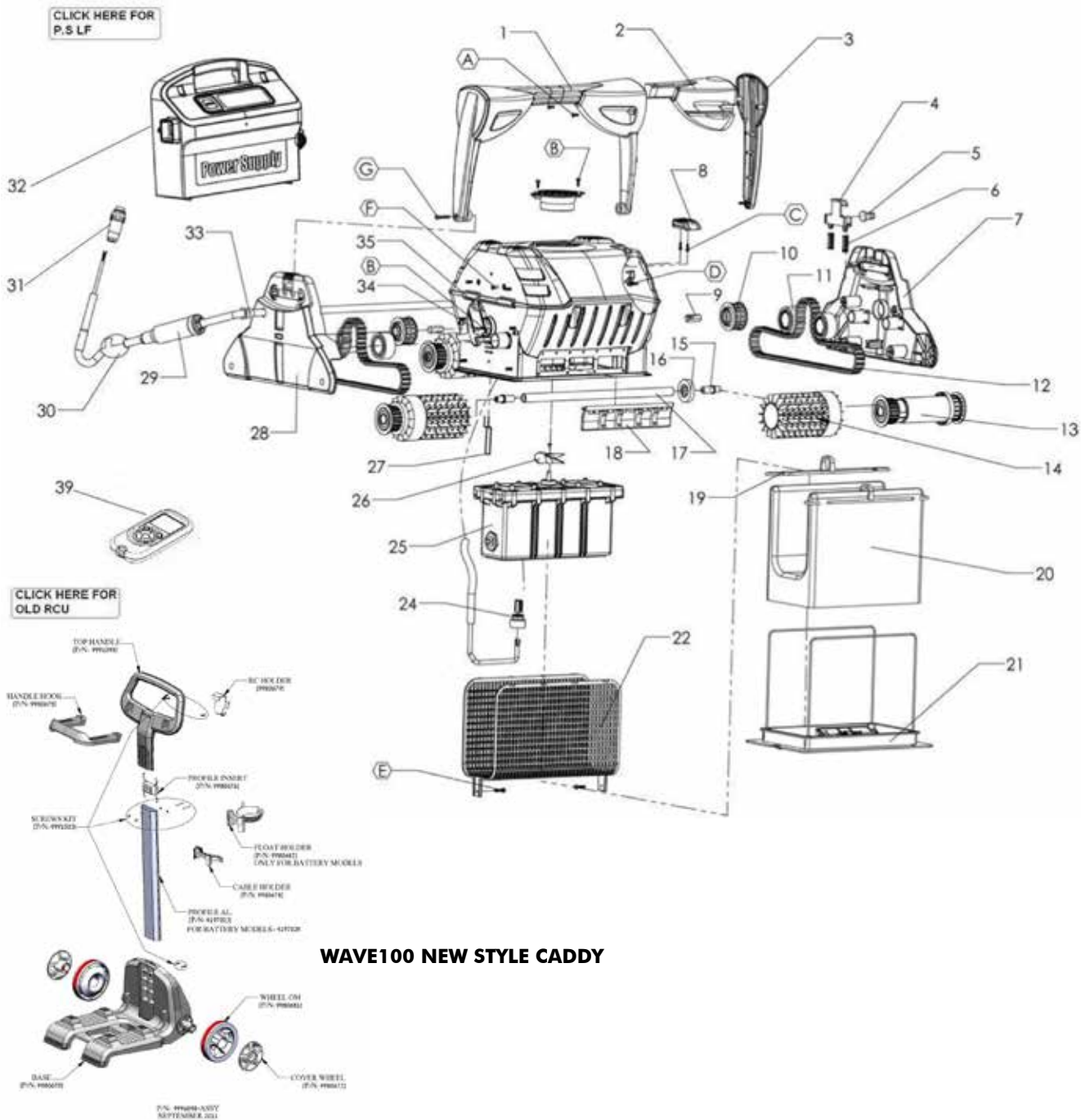
DOLPHIN DYNAMIC PRO X (3002)



WAVE 75



WAVE 100



WAVE100 NEW STYLE CADDY

Commercial Aquatics is a factory authorized Warranty and Repair Centre for Aqua Products, Hayward and Maytronics Commercial Robotic Pool Cleaners and to facilitate repairs and minimize down times substantial parts inventories are maintained.