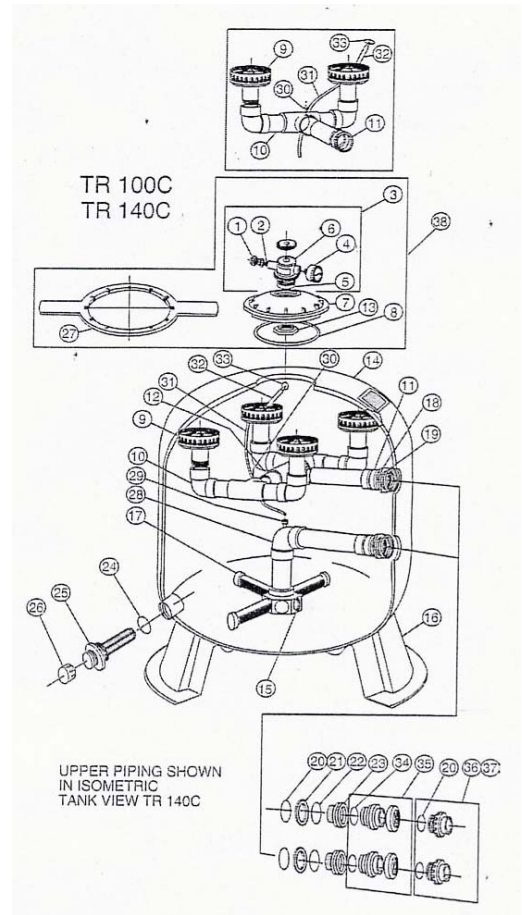


TR100C & TR140C replacement Parts

Item No	Item	Description	Price
11 03 50	#3	Manual Air Relief Body Assbly	\$110.50
11 03 03	#4	Pressure Gauge, back mount	\$18.00
11 03 82	#5	O-ring 3/16 X 2-5/8 ID	\$1.45
11 03 53	#7	Closure, buttress thread, 8-1/2"	\$68.86
11 03 54	#8	Closure square o-ring	\$7.60
11 03 55	#9	Diffuser	\$53.25
11 03 56	#13	Nut 2", internal	\$10.17
11 03 57	#15	Hub, TR100C/TR140C	\$109.05
11 03 58	#17	Lateral TR100C 9-1/8" long	\$9.75
11 03 59	#17	Lateral TR140C 12" long	\$21.35
11 03 60	#18	Locknut 2" internal	\$10.20
11 03 61	#19	Spacer 2" internal	\$14.85
11 03 62	#20	O-ring 2" bulkhead	\$2.70
11 03 63	#21	Spacer 2" external	\$14.85
11 03 64	#22	Gasket 2" bulkhead	\$2.25
11 03 65	#23	Bulkhead 2"	\$76.10
11 03 66	#24	O-ring for sand drain	\$5.01
11 03 67	#25	2" Sand drain	\$42.40
11 03 68	#26	Cap Threaded-1 1/2"	\$7.04
11 03 69	#27	Wrench for closure - plastic	\$30.35
11 03 70	#29	Connector-air relief tube	\$3.74
11 03 71	#31	Air Relief Tube TR100C	\$18.55
11 03 72	#31	Air Relief Tube TR140C	\$24.00
11 03 73	#33	Air Relief Tube Strainer	\$14.43
11 03 74	#38	Closure Kit	\$251.56
11 03 75	---	Aluminum Dome Wrench	\$120.00
11 03 52		SM 20-PP3, Replacement Dial Valve Complete	\$190.60



C-Series Filters use the same bulkhead fittings and dial valves as the regular filters. These parts are on the previous page.

SAND FILTER PARTS

Filter Media

Item No	Description	1-11	12-29	30+
11 06 01	#20 Filter Sand (50 Lbs)	\$13.70	\$12.67	\$11.44
11 06 02	#12 Coarse Aquarium Sand (50 Lbs)	\$30.18	\$27.92	\$25.20

NOTE: If you are unsure of the amount of media for your filter, call with the model number and diameter and we will check the specs for you.

