

## PAC FAB Triton II Sand Filters

Pac Fab's Triton fibreglass filters are rated for public pool use and are easily adaptable to multi unit installations. Tritons are commonly used on Whirlpools, Tot Pools, and smaller Institutional Pools. This filter offers the best price point for a fibreglass commercial filter.

Key advantages of Triton Filters include it is a proven filter (with thousands of installations in place), parts are readily available (and reasonably priced), and Tritons are straight forward to work on. Filters are supplied complete, only the filter media needs to be ordered separately.

Specification sheets are available. Pac Fab also makes 'commercial' and 'heavy-duty' (C) versions of the Triton.

### Capacity and Ordering Information

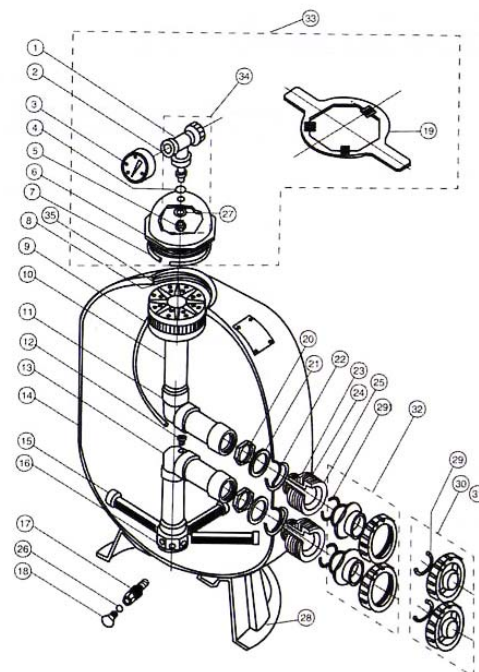
Model	Pump Size	Sq.Ft. of Filter Area	Pipe Size	15GPM per Sq.Ft. Ft. Rate	Gallons per 6 Hours	LBS #20 Filter Sand	*Price
TR-40 18"D	1/2 or 3/4hp	1.92	1-1/2"	29	10440	175lbs	\$815.00
TR-50 21"D	3/4 or 1hp	2.46	1-1/2"	37	13320	225lbs	\$884.00
TR-60 24"D	1 or 1-1/2hp	3.14	1-1/2"	47	16920	325lbs	\$1075.25
TR-100 30"D	1-1/2 or 2hp	4.91	2"	74	26640	600lbs	\$1289.25
TR-100C	1-1/2 or 2hp	4.91	2"	74	26640	600lbs	\$1354.50
TR-140 36"D	2 to 3hp	7.06	2"	106	38160	925lbs	\$1636.75
TR-140C	2 to 3hp	7.06	2"	106	38160	925lbs	\$1743.00

\*Pricing includes filter and matching pre-plumbed dial valve.



## Triton Filter Replacement Parts

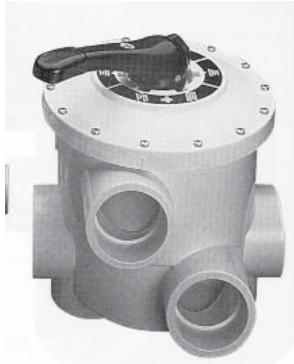
Dia #	Part #	Description	Price
1	154689	Air Bleeder Tee Assembly	\$38.00
2	154700	Adapter	\$15.45
3	100-60	Gauge, back mount	\$18.50
4	154661	Adapter o-ring	\$2.30
5	154664	Adapter nut	\$2.25
6	154570	Closure Dome, buttress thread	\$108.00
6	154559	Closure Dome, V thread,	\$72.00
7	154493	Closure Dome o-ring	\$6.90
8	150035	Strainer for air relief tube - 99 on 3/8" OD	\$18.15
9	154438	Air Relief Tube TR 140	\$31.00
10	154906	Diffuser, TR 140	\$69.00
11	154500	Upper piping Assembly, TR 140	\$64.00
12	150036	Air Relief Tube Connector - 99 on 3/8" OD	\$2.00
13	154489	Lower Piping Assembly TR 140	\$75.00
14	000000	Replacement tanks	POR
15	152290	Lateral TR 40-60 to 7 July 07	\$9.80
	150085	Lateral TR 60, after 7 Jul7 07	\$11.15
	152202	Lateral TR 100	\$13.40
	154540	Lateral TR 140	\$28.00
16	154763	Hub TR 40-60 to 7 July 07	\$41.00
	155753	Hub TR 60 after 7 July 07	\$57.00
	154453	Hub Tr 100-140	\$138.00
17	152220	Sand Drain 2"	\$58.00
17	154698	3/4 Sand Drain	\$34.00
18	357161	1/4" Drain Plug	\$5.25
19	154512	Wrench	\$34.00
20	154412	2" Internal Locknut	\$12.80
21	154416	2" Internal Spacer	\$18.65
22	154492	Bulkhead o-ring	3.40
23	154408	2" External Spacer	\$18.65
24	154538	Bulkhead gasket	\$2.80
25	154405	2" Bulkhead Fitting	\$96.00
26	192115	Drain Plug o-ring	\$1.65
27	154418	Washer, 3/8" SS	\$1.55
28	154596	Foot TR 140	\$194.00
29	274494	O-ring, valve adapter	\$6.30
33	154641	Closure Kit, 6" Buttress thread	\$255.00
34	154687	Fitting Package, w/o gauge	\$63.00



BLACK TANK



Detail A, (after 12/1/91)  
6 in. btr. Thread.



## Triton Filter Replacement Parts

### Replacement Dial Valves Pre-plumbed For Triton Filters

261173	SM1-PP3	Pre-plumbed 1 1/2" Dial Valve	\$131.60
261055	SM2-PP3	Pre-plumbed 2" Dial Valve	\$168.75

## Praher Dial Valves (complete but not preplumbed)

Item No	Item	Description	Price
11 10 01	SM-10-AO	1 1/2" Dial Valve, side mount, all ports open (1 1/2" FIPT)	POR
11 10 02	SM-20-AO	2" Dial Valve, side mount, all ports open (2" FIPT)	\$POR
11 10 03	SM-30-AO	3" Dial Valve, side mount, all ports open (3" SLIP)	POR

## Praher Dial Valve Replacement Parts

Part Numbers ending in 1 are for 1 1/2" pipe size dial Valves

Part #	Description	Price
E-1-S-1	Handle-ABS	\$ 7.35
E-2-S-1	Pin	\$ 3.15
E-3-S-1	Washer	\$ 2.10
E-4-S-1	Screw M6 X 30MM Philips Pan Head	\$ 1.05
E-6-S-1	Cover	\$12.55
E-7-S-1	Cover O-ring	\$ 4.20
E-8-S-1	Washer	\$ 2.10
E-9-S-1	Spring	\$ 9.40
E-10-S-1	O-rings	\$ 2.10
E-11-S-1	Diverter	\$16.70
E-12-S-1	Diverter gasket	\$ 7.35
E-14-S-1	Nut M6 - Hex	\$ 0.55
E-15-S-1	1/4" Plug	\$ 1.05
E-16-S-1	Site Glass gasket	\$ 1.15
E-17-S-1	Site Glass	\$ 3.15
E-50-S-1B	Top Assembly (#1-11)	\$65.00

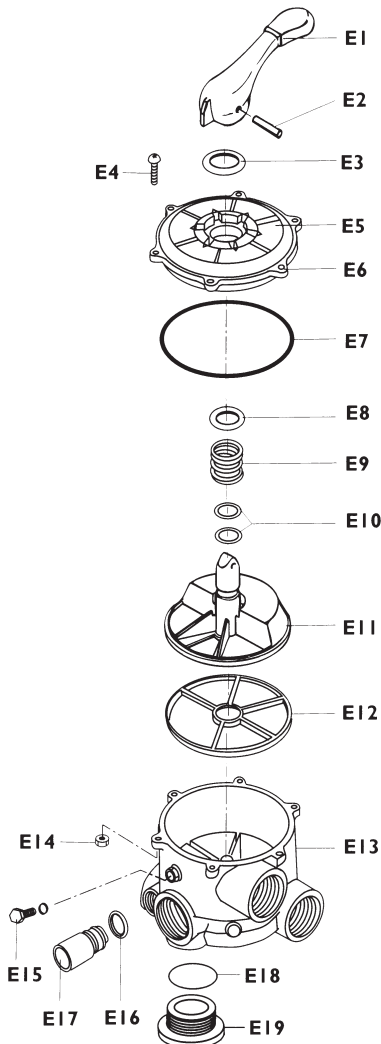
Part # ending in 2 are for 2" dial valves. Parts not listed are in common with S-1 valves

E-7-S-2	Cover O-ring-2"	\$ 4.20
E-11-S-2	Diverter 2"	\$18.80
E-12-S-2	Diverter Gasket 2"	\$ 9.40
E-50-S-1B	Top Assembly 2" (#1-11)	\$74.00

Part # ending in 3 are for 3" pipe size dial valves.

E-6-S-3	Cover 3"	\$241.95
140.561	Cover, new, after Jan 2002	\$241.95
E-7-S-3	Cover O-ring	\$33.85
E-11-S-3	Diverter	\$254.97
141.341	Diverter c/w integral gskt	\$309.80
E-12-S-3	Diverter gasket	\$83.65
E-50-S-3B	Top Assembly (31-11)	\$774.15
Prism 2 oz	Spider Gasket Glue	\$60.65

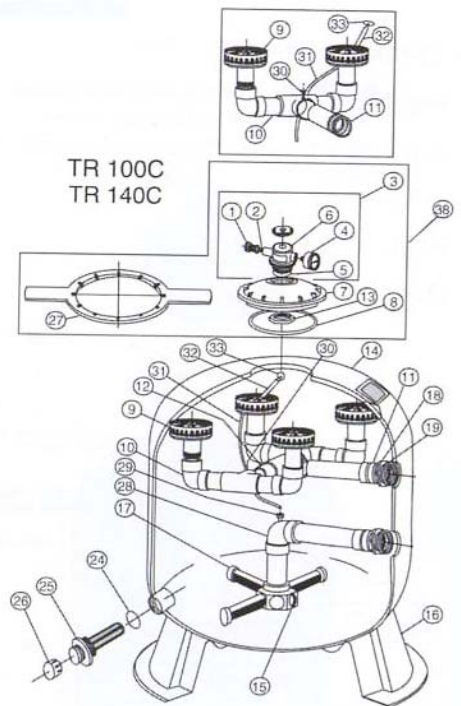
Other 3" dial valve parts on request



## TR 100C & TR 140C Replacement Parts

Dia #	Part #	Description	Price
3	273564	Manual Air Relief Assembly	\$140.00
4	100-60	Back Mount Gauge	\$18.50
5	273513	O-ring for Air Bleed	\$ 1.20
7	154575	Closure Dome, 8 1/2"	\$87.00
27	154527	Wrench for 8 1/2" closure	\$39.00
8	152509	Dome Square O-ring	\$9.60
13	154412	2" Nut for Air Relief	\$12.80
19	274494	Drain O-ring	\$6.30
20	152220Z	Drain Assembly	\$58.00

All parts not listed are in common with the regular filters, see previous page.



## Astral Laterals - Old Style

Part No	Description	Price
00629	100mm long-threaded both ends	\$8.85
00628	110mm long-closed one end	\$8.85
00627	160 mm long-closed one end	\$8.85
00626	225mm long-closed one end	\$8.85
00630	Coupling 3/4" female/female	\$8.85
723R4140120	Lid Gasket	\$133.75

## Astral Laterals- New Style

Part No	Description	Price
30775	Lateral, 1 1/2" X 3-9/16"	\$9.00
30776	Lateral, 1 1/2" X 6-5/16"	\$10.50
30777	Lateral, 1 1/2" X 8-7/8"	\$12.00
30778	Lateral, 1 1/2" X 10-1/4"	\$12.75
30779	Lateral, 1 1/2" X 12-13/16"	\$13.50
30780	Lateral, 1 1/2" X 14-3/16"	\$14.25
30781	Lateral, 1 1/2" X 17"	\$15.00
30782	Lateral, 1 1/2" X 18-3/4"	\$15.75
30783	Lateral, 1 1/2" X 21"	\$16.50



## Swimquip Laterals

Part No	Diameter	Length	Price
24300-17	1 1/2"	8 3/8"	\$81.05
24300-18	1 1/2"	9 3/4"	\$81.05
24300-19	1 1/2"	15"	\$87.10
24300-21	1 1/2"	17"	\$93.95
24300-31	2"	13"	\$47.10
24300-32	2"	15"	\$51.05
24300-33	2"	17"	\$51.05
24300-34	2"	21"	\$54.45
24300-35	2"	23"	\$56.25
24300-36	2"	25"	\$73.25
24300-37	2"	30"	\$77.25

Longer laterals priced on request

