

LMI CHEMICAL FEED PUMPS AND PARTS

Standard Pumps

All pumps listed below include a foot valve, injector, 10 feet of tubing and a 3 function valve, "prime", "depressurize" and "pressure relief". Choose either an adjustable stroke only or adjustable stroke and speed models.

Adjustable stroke only

Model No	Capacity	Tube Size	Price
P031-398 TI	10 GPD @ 110 PSI	3/8"	\$587.10
P051-398 TI	24 GPD @ 110 PSI	3/8"	\$624.28
P061-368 TI	48 GPD @ 50 PSI	3/8"	\$655.95

Adjustable stroke and speed

P131-398 TI	10 GPD @ 110 PSI	3/8"	\$704.50
P151-398 TI	24 GPD @ 110 PSI	3/8"	\$741.77
P161-368 TI	48 GPD @ 50 PSI	3/8"	\$773.35
B121-398 TI	60 GPD @ 100 PSI	3/8"	\$1433.75
B131-368 TI	108 GPD @ 50 PSI	3/8"	\$1433.75



Auto Flush Controller

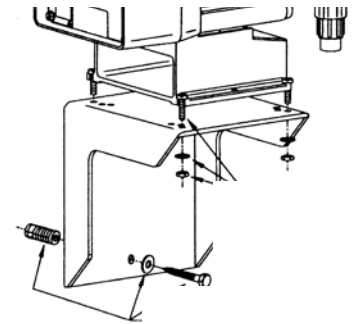
Auto-flush controller, 120 V, 125 PSI Max, automatically flushes feed line with fresh water to prevent injector clogging. Used in conjunction with Auto Flush pumps above. Typically used for liquid CL₂ feed or soda ash applications.

Model No	Description	Price
30344	120V AC, 125 PSI Max.	\$834.60



LMI Pump Mounting Bracket

Model No	Description	Price
34643	Polypropylene wall bracket c/w Mounting Hardware	\$87.68



Tubing - High Density Polyethylene

Model No	Description	Price / ft.
25636	1/4 OD x 1/8 ID	\$0.88
10342	3/8 OD x 1/4 ID	\$0.88
10142	1/2 OD x 3/8 ID	\$1.10

