

Jacuzzi Series VM Filter Pumps

Series VM Self-Priming Filter Pumps incorporate several important features which contribute to good performance and long life.

- Double-volute casing allows rapid air separation and water circulation during the priming cycle, and reduces the radial thrust on the impeller.
- Closed impeller is mounted on the motor shaft and requires no adjustment to maintain performance.
- Mechanical shaft seal requires no attention and is ideal for continuous operation without supervision.
- Flanged suction and discharge connections. 4" x 3".
- Very efficient pumps that move a lot of water for the horsepower
- Recommended for use with fiberglass filters because of the low shut-off head 45 PSI.



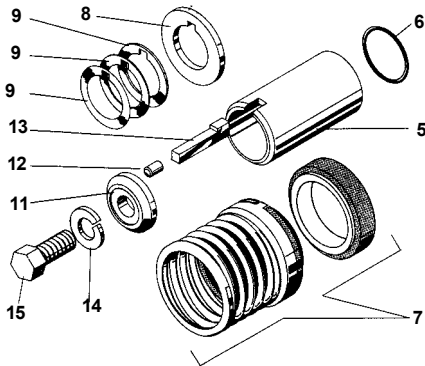
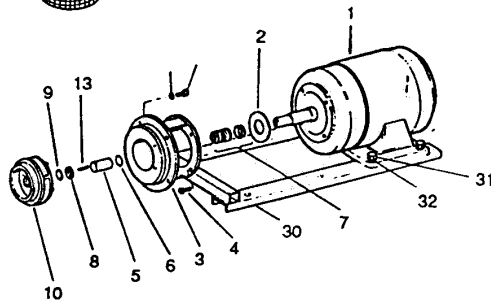
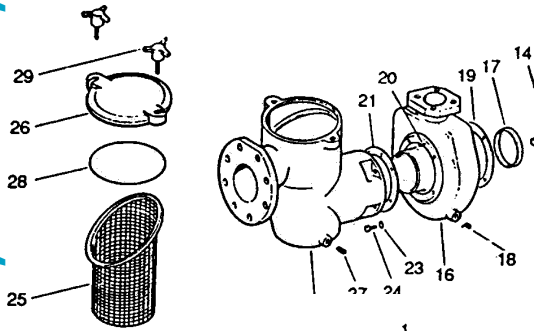
Item No	Model	HP	Watts	Price
11 26 01	5VMC-S2	5	3.73	\$4462.15
11 26 02	75VMC-S2	7 1/2	5.59	\$6252.50
11 26 03	10VMC-S2	10	7.46	\$6722.20
11 26 04	5VMC-T	5	3.73	\$4083.95
11 26 05	75VMC-T	7 1/2	5.59	\$4190.70
11 26 06	10VMC-T	10	7.46	\$5169.75
11 26 07	5VMC-T5	5	3.73	\$4083.95
11 26 08	75VMC-T5	7 1/2	5.59	\$4190.70
11 26 09	10VMC-T5	10	7.46	\$5169.75
11 26 10	5VMB-S2	5	3.73	\$6069.50
11 26 11	75VMB-S2	7 1/2	5.59	\$7783.50
11 26 12	10VMB-S2	10	7.46	\$8637.60
11 26 13	5VMB-T	5	3.73	\$5310.05
11 26 14	75VMB-T	7 1/2	5.59	\$5907.85
11 26 15	10VMB-T	10	7.46	\$6502.60
11 26 16	5VMB-T5	5	3.73	\$5301.05
11 26 17	75VMB-T5	7 1/2	5.59	\$5907.85
11 26 18	10VMB-T5	10	7.46	\$6502.60

Model S2 = 230 volts, single phase VMC = Cast iron pump
 Model T = 208-230/460 volts, 3 phase VMB = cast bronze pump
 Model T5 = 575 volts, 3 phase

PERFORMANCE DATA

Pump Model	Total Head in Feet													Shut Off Head Feet/PSI
	40	45	50	55	60	65	70	75	80	85	90	95	100	
5VM	315	295	270	245	220	185	130							77/33
75VM			365	345	320	295	270	245	195	145				92/40
10VM						400	375	355	330	295	250	210	170	109/47

Parts pricing on page 16



Enlarged view of shaft sleeve and mechanical seal area.

Parts Pricing

	Key #		
11 27 01	#1	Motor	POR
11 27 02	#2	Flinger	\$12.30
Bracket			
11 27 03	#3	5VMC-S2, T, T5, & 75VMC-T, T5	\$411.80
11 27 04		75VMC-S2, 10VMC-S2, T, T-5	\$938.44
11 27 05		5VMB-S2, T, T5 & 75VMB-T, T5	\$626.40
11 27 06		75VMB-S2, 10VMB-S2, T, T5	\$1426.80
11 27 07	#4	Hex Cap Screw 3/8-16 X 7/8" L	\$5.80
		5 & 7 1/2 VM 4-Pack	
11 27 08		Hex Cap Screw 1/2-13 X 1 1/4" L - 4-Pack	\$10.21
Sleeve			
11 27 09	#5	5VMC-S2, T, T5 & 75VMC-T, T5	\$213.44
		5VMB-S2, T, T5 & 75VMB-T, T5	
11 27 10		75VMC-S2 & 10VMC-S2, T, T5	\$233.16
		75VMB-S2 & 10VMB-S2, T, T5	
11 27 11	#6	O-ring 1" x 1-1/8"	\$1.86
11 27 12	#7	Mechanical Seal Assembly	\$93.26
11 27 13	#8	Washer	\$38.86
11 27 14	#9	Shim X .031	\$17.28
11 27 15		Shim X .020	\$17.28
11 27 16		Shim X .010	\$17.28
Impellor			
11 27 17	#10	5VMB	\$633.36
11 27 18		5VMC	\$508.08
11 27 19		75VMC-S2	\$567.24
11 27 20		75VMC-T, T5	\$567.24
11 27 21		75VMB-S2	\$669.32
11 27 22		75VMB-T, T5	\$669.32
11 27 23		10VMC	\$567.24
11 27 24		10VMB	\$669.32
11 27 25	#11	Adaptor	\$58.58
11 27 26	#12	Dowel Pin	\$12.99
11 27 27	#13	Gib Key	\$22.35
11 27 28	#14	Washer	\$1.51
11 27 29	#15	Cap Screw 3/8-16 X 1" L	\$6.84
Case with Wear Ring & Plug			
11 27 30	#16	VMC	\$1189.20
11 27 31		VMB	\$2448.76
11 27 32	#17	Wear Ring	\$165.86
11 27 33	#18	Plug 1/4" NPT Galv, VMC	\$2.20
11 27 34		Plug 1/4" NPT Brass, VMB	\$4.25
11 27 35	#19	Gasket	\$15.54
11 27 36	#20	Index Pin	\$13.22
11 27 37	#21	Gasket	\$12.53
Strainer Body			
11 27 38	#22	VMC	\$1189.00
11 27 39		VMB	\$2383.80
11 27 40	#23	Grommet -8 Pkg	\$76.44
Hex Cap Screw 3/8-16 X 7/8" L			
11 27 41	#24	VMC -8 /Pkg	\$5.92
11 27 42		VMB-8/Pkg	\$10.44
11 27 43	#25	Strainer Basket	\$508.08
Strainer Cover			
11 27 44	#26	VMC	\$149.64
11 27 45		VMB	\$352.64
11 27 46	#27	Plug 1/4" NPT-Galv, VMC	\$2.20
11 27 47		Plug 1/4" NPT- Brass VMB	\$4.29
11 27 48	#28	O-ring 7-1/4" X 7-3/4"	\$15.54
11 27 49	#29	Lock Knob Assembly, pair	\$65.77
11 27 50	#30	Base 5VM, 75VM-T	\$149.64
11 27 51		75VM-S2, 10 VM	\$269.12
11 27 52	#31	Hex cap screw 3/8-16 X 1" L 4-Pkg	\$5.80
11 27 53	#32	Washer 3/8"-4/Pkg	\$3.02
Wet Ends			
11 27 54		VMC Wet End	\$3602.94
11 27 55		VMB Wet End	\$5764.70