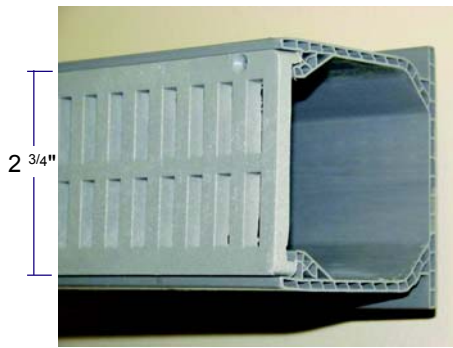


DECK & CHANGEROOM DRAINAGE



Mini Channel Drainage System:

Mini channel is used in many facilities on deck and/or in change rooms for drainage of wastewater. The channel (imbedded in concrete floor) is a molded polyurethane molded with honeycomb structure for strength and durability. Channel, 45's, adapters to connect to piping are each bought separately as required to configure a given system.

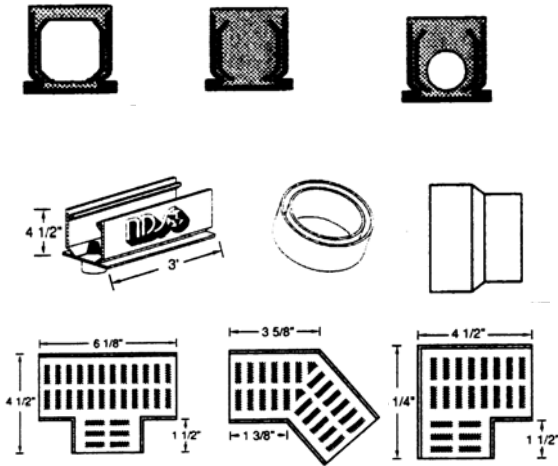
Top grating is supplied in 3-foot sections in various colors as required for new applications and to replace damaged or worn grates.



Mini Channel System Parts

Item No	Description	Price
16 31 01	Top Grating - 3' sections Specify colour	\$29.85
16 31 02	Channel Drain - 6' sections	\$91.50
16 31 03	Stainless Screws (Grate), FH-#4 x 5/8"	\$0.45

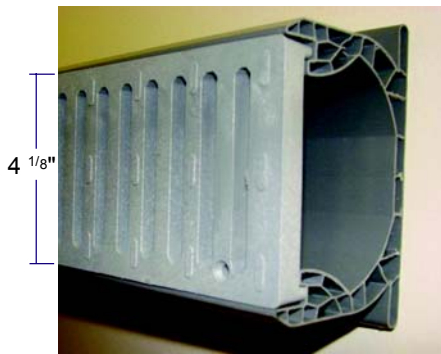
Item No	Description	Price
16 31 04	Coupling	\$12.25
16 31 05	End Cap	\$11.75
16 31 06	2" End Outlet	\$13.75
16 31 07	2" Bottom Outlet	\$63.35
16 31 08	2" x 3" Adapter	\$10.25
16 31 09	2" x 4" Adapter	\$11.40
16 31 10	Fabricated Tee with Grate	\$42.50
16 31 11	Fabricated 90° Elbow with Grate	\$45.25
16 31 12	45° Elbow with Grate	\$45.25



Spee-D Channel

Spee-D Channel is a larger drainage system found in some newer facilities. All the same parts and grates are available as for Mini-Channel Grating. *Please enquire.*

Item No	Description	Dimensions	Price
16 31 20	Top Grating - 2' sections - Specify colour		\$47.25
16 31 21	Channel Drain - 10' sections		\$213.65



Deck Drain System

Item No	Description	Dimensions	Price
16 32 05	Deck drain grill bar	1 1/2"W x 7/8"H x 6' L PVC	\$84.35

Other drain system components available, please inquire.

