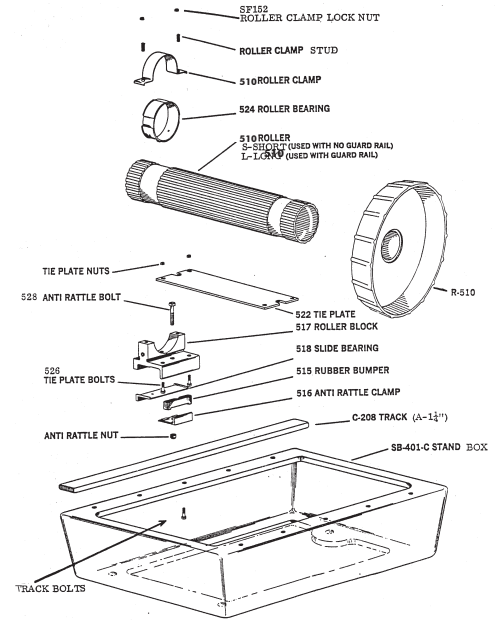


## DIVE STAND PARTS

### Durafirm Fulcrum Assembly

Model No	Description	Price
SF533	Roller clamp lock nut c/w stud	\$6.95
521	Roller clamp	\$16.05
524	Roller bearing	\$14.05
510S	Roller S-short with foot wheel	\$770.45
510L	Roller L-long with foot wheel	\$832.97
528	Anti rattle bolt c/w nut	\$6.95
522	Tie plate	\$110.15
517	Roller block assembly	\$175.55
518	Slide bearing	\$11.35
526	Tie plate bolts c/w nuts	\$5.25
515	Rubber bumper	\$14.25
516	Anti rattle clamp	\$22.10
C208A	Track (A-1 1/4")	\$120.15

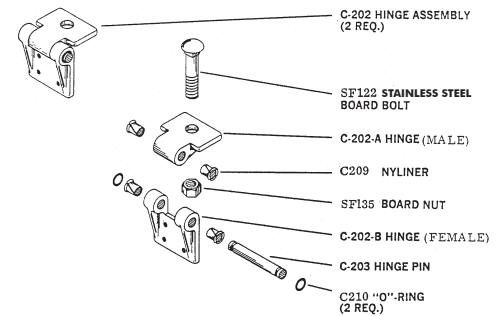


### Miscellaneous Parts

MP 112	Vinyl channel kit 30" 8 channels w/glue kit	\$175.55
C207	Rail clamp	\$10.65
C207B	Rail clamp bolt specify length 1/2, 5/8, 3/4 or 7/8	\$1.75

### Durafirm Hinge Assembly

Item No	Description	Price
SF122	5/8" x 3 1/2" Stainless Steel Bolt c/w nut / pr	\$56.85
C202A	Hinge (Male)	\$98.12
C209	Nyliner	\$3.85
C202B	Hinge (Female)	\$113.02
C203	Hinge Pin	\$22.08
C210	O-ring	\$3.85
C202	Hinge assembly	\$181.19
SF106	Aluminium hinge mounting bolt	\$4.95



NOTE: All Durafirm stand parts are available (railings, fulcrum box, legs, ladder, steps, etc.) as replacement parts. If parts you require are not listed, please inquire.

### Diving Board Resurface Kit

Made by Kelly Technical this kit is suitable for all aluminum boards. It is exactly enough material to coat top & edges of one 16' board; it is supplied with roller and complete instructions.

Available in white, blue or turquoise.

Item No	Description	Price
16 12 24	Diving board resurface kit - turquoise	\$143.35

