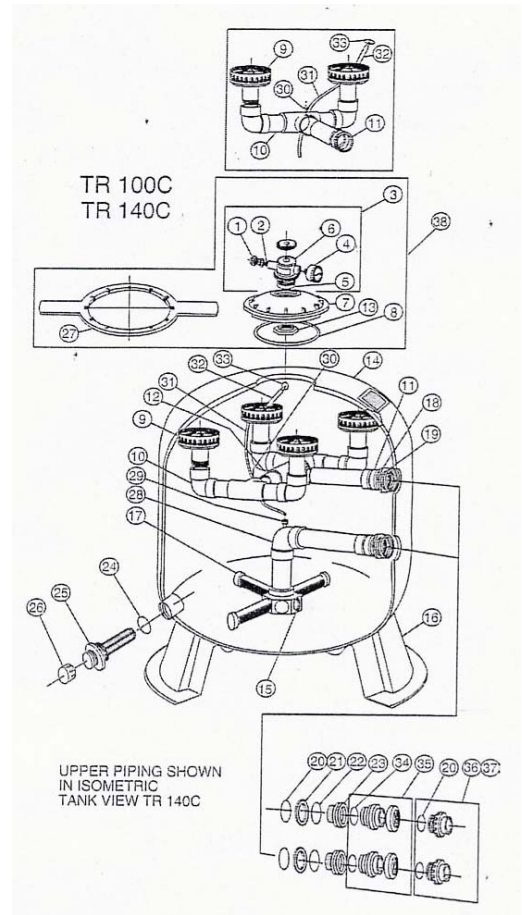


TR100C & TR140C replacement Parts

Item No	Item	Description	Price
11 03 50	#3	Manual Air Relief Body Assbly	\$110.50
11 03 03	#4	Pressure Gauge, back mount	\$18.00
11 03 82	#5	O-ring 3/16 X 2-5/8 ID	\$1.45
11 03 53	#7	Closure, buttress thread, 8-1/2"	\$68.86
11 03 54	#8	Closure square o-ring	\$7.60
11 03 55	#9	Diffuser	\$53.25
11 03 56	#13	Nut 2", internal	\$10.17
11 03 57	#15	Hub, TR100C/TR140C	\$109.05
11 03 58	#17	Lateral TR100C 9-1/8" long	\$9.75
11 03 59	#17	Lateral TR140C 12" long	\$21.35
11 03 60	#18	Locknut 2" internal	\$10.20
11 03 61	#19	Spacer 2" internal	\$14.85
11 03 62	#20	O-ring 2" bulkhead	\$2.70
11 03 63	#21	Spacer 2" external	\$14.85
11 03 64	#22	Gasket 2" bulkhead	\$2.25
11 03 65	#23	Bulkhead 2"	\$76.10
11 03 66	#24	O-ring for sand drain	\$5.01
11 03 67	#25	2" Sand drain	\$42.40
11 03 68	#26	Cap Threaded-1 1/2"	\$7.04
11 03 69	#27	Wrench for closure - plastic	\$30.35
11 03 70	#29	Connector-air relief tube	\$3.74
11 03 71	#31	Air Relief Tube TR100C	\$18.55
11 03 72	#31	Air Relief Tube TR140C	\$24.00
11 03 73	#33	Air Relief Tube Strainer	\$14.43
11 03 74	#38	Closure Kit	\$251.56
11 03 75	---	Aluminum Dome Wrench	\$120.00
11 03 52		SM 20-PP3, Replacement Dial Valve Complete	\$190.60



C-Series Filters use the same bulkhead fittings and dial valves as the regular filters. These parts are on the previous page.

SAND FILTER PARTS

Filter Media

Item No	Description	1-11	12-29	30+
11 06 01	#20 Filter Sand (50 Lbs)	\$13.70	\$12.67	\$11.44
11 06 02	#12 Coarse Aquarium Sand (50 Lbs)	\$30.18	\$27.92	\$25.20

NOTE: If you are unsure of the amount of media for your filter, call with the model number and diameter and we will check the specs for you.



Bulkhead Union Wrench for Pac Fab 2" Fittings

This wrench is designed to fit the bulkhead or thru wall fittings of all Pac Fab filters with 2 inch pipe size fittings. The models are TR100, TR140, TR100C, and TR140C. Note, does not fit 1 1/2" or 3" pipe size fittings. The outside wrench, (with the long bar for a handle) locks onto the outside of the fitting, and the socket fits the large nut inside the filter to complete the tightening process. The socket requires a 1/2" ratchet to drive it which is not supplied. Made of anodized aluminium and stainless steel. Sold separately as the Outside Socket Wrench and the Inside Socket Wrench or as a set.

Item No	Description	Price
11 03 80	Bulkhead Union Wrench-Outside	\$195.00
11 03 81	Bulkhead Union Wrench-Inside	\$195.00
11 03 82	Bulkhead Union Wrench Set	\$331.50

