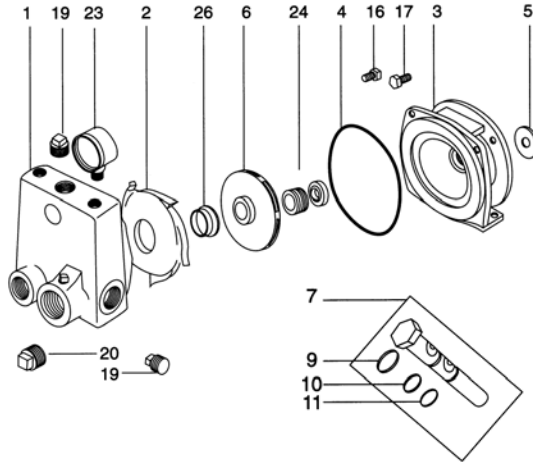


Parts - Cyclone Pump

12 22 10	1	Case	03-0873-00	\$111.32
12 22 011	2	Impeller ½ HP	05-3922-04	\$54.90
12 22 12	2	Impeller ¾ HP	05-3923-03	\$54.90
12 22 14	4	Wear ring #4	08-0845-19	\$11.18
12 22 15	5	Mechanical Seal 5/8	CRA/T66	\$30.08
12 22 16	6	Disk #6 5cy	11-1502-08	\$11.96
12 22 17	6	Disk #6 7 cy	11-1503-07	\$11.96
12 22 18	7	Seal Plate #7	11-1521-05	\$35.16
112 22 22	12	Venturi 5cy	18-0449-09	\$39.08
12 22 23	12	Venturi 7cy	18-0450-05	\$41.02
12 22 25		Impellor Kit - included Impellor, diffuser, wear ring mech seal, o-ring & disc. 1/2 or 3/4 HP.		\$99.62



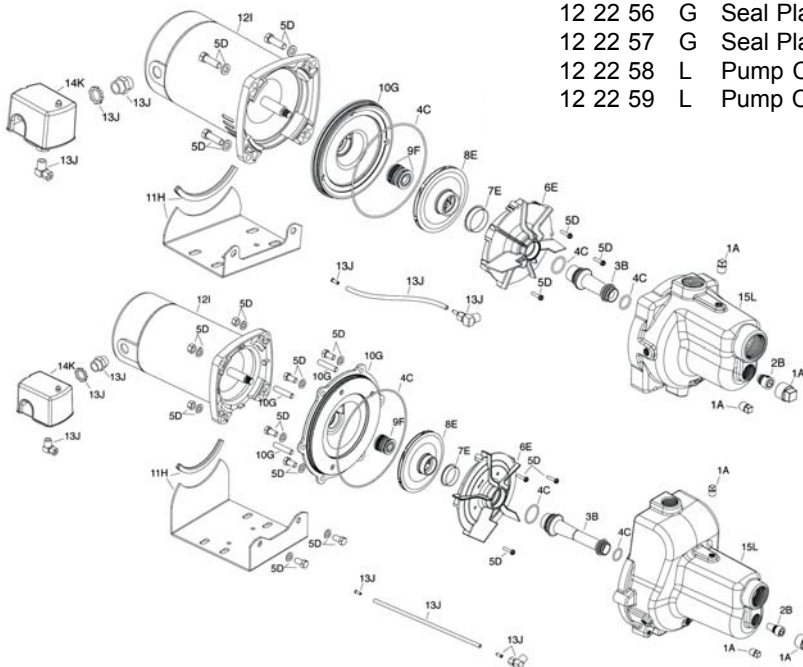
Jacuzzi CP Pump - Cast Iron Body

12 22 26	1	Case	03-0055-01	\$283.20
12 22 27	2	Diffuser 5C	06-0111-00	\$31.24
12 22 28	2	Diffuser 7C	06-0112-09	\$33.80
12 22 29	3	Bracket 5C	02-1052-03	\$185.52
12 22 30	3	Bracket 7C	02-1053-02	\$185.52
12 22 31	4	Square Ring	13-1247-06	\$7.82
12 22 33	6	Impeller 5C	05-3074-00	\$69.50
12 22 34	6	Impeller 7C	05-3075-09	\$69.50
12 22 35	7	Injector 5C	18-1706-05	\$51.80
12 22 36	7	Injector 7C	18-1707-04	\$51.80
12 22 42	24	Mech Seal 5/8	CRA/T66	\$30.08
12 22 43	26	Wear Ring	08-0845-19	\$11.18

Versajet Pro Pump Parts

12 22 44	B	Nozzle & Venturi set - 1/2hp	305367902	\$15.65
12 22 45	B	Nozzle & Venturi set - ¾ hp	305367903	\$15.65
12 22 46	B	Nozzle & Venturi set - 1 hp	305367904	\$17.85
12 22 48	C	O-ring set ½ hp	305368901	\$5.65
12 22 49	C	O-ring set ¾ & 1hp	305368902	\$5.30
12 22 51	E	Impellor, Diffuser, & Wear Ring-½ hp	30570902	\$63.55
12 22 52	E	Impellor, Diffuser, & Wear Ring-¾ hp	30570903	\$71.25
12 22 53	E	Impellor, Diffuser, & Wear Ring-1hp	30570904	\$53.25
12 22 54	F	Mechanical Seal ½ hp	305371901	\$22.25
12 22 55	F	Mechanical Seal ¾ & 1hp	305371902	\$22.05
12 22 56	G	Seal Plate ½ hp	305372901	\$46.75
12 22 57	G	Seal Plate ¾ & 1hp	305372902	\$98.55
12 22 58	L	Pump Case ½ hp	305376901	\$125.00
12 22 59	L	Pump Case ¾ & 1hp	305376902	\$149.75

VERSAJET
Models: 1/2, 3/4 & 1 HP



1/2 & 3/4 HP

1 HP