

Tiger Shark 2

The Tiger Shark 2 is very similar to a Dolphin 3001. The two key differences are the lack of the Beachfront Entry Feature and the cord swivel. The makers of the Tiger Shark 2 have chosen to adopt a program of small changes to improve product durability and as these features were problematic they have been deleted for improved reliability. The current Tiger Shark 2 comes with a caddy cart, 100' cord, ac power supply/transformer, cartridge filter and 7 hour motor cycle. The unit is CSA approved. **The warranty is 1 year**, and excludes consumables, specifically the drive tracks, drive bearings and filter cartridge.

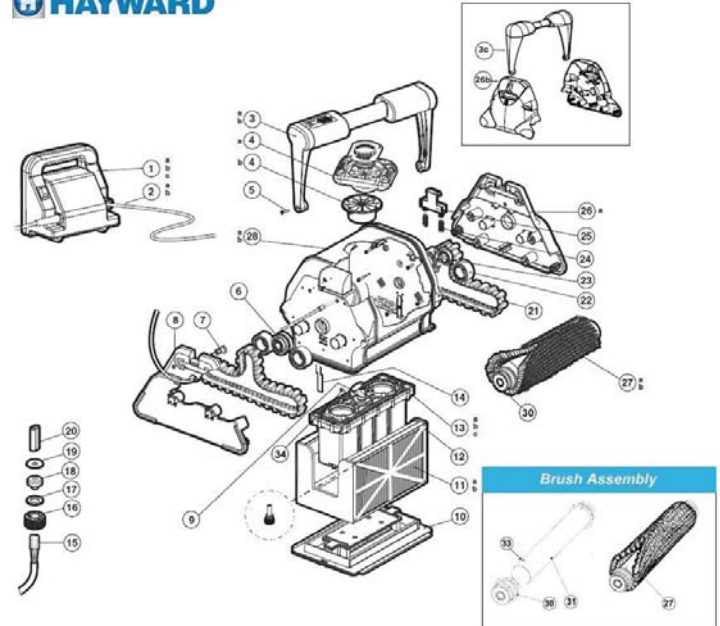


Model No.	Description	Price
RC9956	Tiger Shark 2	\$2138.75

TIGER SHARK 2 PARTS

Part No	ID#	Description	Price
RCX97453	#1	Power Supply	\$380.00
RCX50110	#2	100' Floating Cord	\$373.00
RCX31009	#28	Amphenol Connector	\$45.70
RCX76000	#3	Handle Assembly - Teal- Old	\$77.00
RCX97007	#3C	New Style-Grey Handle	\$80.00
RCX11208	#4A	Venturi Assbly - New Style	\$34.00
RCX12011	#5	Handle Screw T5 X 20	\$6.05
RCX26001	#6	Idler Pulley	\$55.00
RCX14000	#7	Handle Slide	\$7.40
RCX12001	#8	Side Plate Screw M4 X 12	\$5.25
RCX11000	#9A	Impellor	\$18.25
ACX12002	#9B	Screw M4x2	\$5.25
RCX75000	#10	Bottom Lid Assembly	\$93.00
RCX70101	#11	Cartridge Refill (2)	\$87.00
RCX70100	#12	Frame with Filters	\$156.00
RCX41000DC	#13	Motor Unit 7Hour	\$741.00
RCX11400	#14	Lid Clip	\$7.50
RCX59006	#15	Connector	\$2.80
RCX59004	#16	Sealing Nut	\$6.25
RCX12302	#17	Plastic Washer - large hole	\$3.90
RCX59003	#18	Rubber Seal	\$9.95
RCX12301	#19	Plastic Washer small hole	\$3.90
RCX59002	#20	Connector Housing	\$5.90
RCX23002	#21	Drive Track	\$51.00
RCX26000	#22	Track Guide Wheel	\$41.25
RCX26002	#23	Drive Pulley	\$49.00
RCX12100	#24	Spring-handle latch	\$4.95
RCX14100	#25	Handle Latch	\$8.70
RCX97201	#26	Side Cover - Old Style - Light Grey	\$33.00
RXC97201	#26B	New Style Side Cover - Dark Grey	\$36.00
RCX26008	#27	Roller Brush	\$39.00
RCX 13001	#28	Main Case	\$183.15

Part No.	ID#	Description	Price
Wheel Tube Parts			
RCX26004	#31	Wheel Tube	\$18.60
RCX26005	#30	Wheel Tube Bearing	\$41.00
RCX3406	#33	Screw #4 x 3/8 Flat	\$2.35



Bottom Lid Parts

Note: These also fit Old Style Dolphin Bottom Lids

Part No	ID#	Description	Price
RCX75001	#1	Lid Base	\$38.50
RCX78005	#2	Gasket	\$33.00
RCX75002	#3	Clip Support	\$5.25
RCX75003	#4	Locking Plate	\$7.25
RCX75004	#5	Clip Follower	\$2.35
RCX12101	#6	Spring	\$4.95
RCX12101	#7	Spring Retainer	\$2.45
RCX12008	#8	Screw	\$2.65
RCX75005	#9	Inlet Flap	\$8.95

