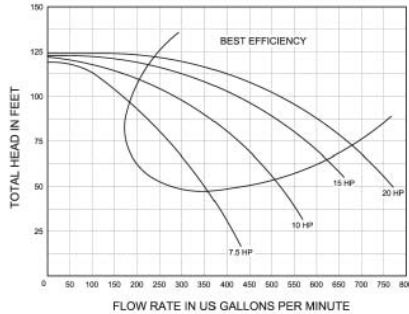




HYDRO 5000 SELF PRIMING C. I. PUMP



Hydro 5000 self priming C. I. Pump by Waterco

This pump is self priming, the impellor is bronze, and the cast iron volute is epoxy coated. 6" suction by 4" discharge. Waterco's 2 year warranty applies. The strainer is not included and must be ordered separately.

Item No	Description	Price
19B05000	Hydro 5000 7.5 HP 208/230V/460V & 3 Ph	\$4526.96
19B05000-575	Hydro 5000 7.5 HP 575V & 3Ph	\$4583.76
19B05001	Hydro 5000 10 HP 208/230/460V & 3Ph	\$4815.25
19B05001-575	Hydro 5000 10 HP 575V & 3Ph	\$5011.89
19B05002	Hydro 5000 15 HP 208/230/460V & 3Ph	\$5269.62
19B05002-575	Hydro 5000 15 HP 575V & 3Ph	\$5441.44
19B05003	Hydro 5000 20 HP 208/230/460V & 3Ph	\$5996.66
19B05003-575	Hydro 5000 20 HP 575V & 3Ph	\$6443.25

Hydro 5000 Commercial Strainer by Waterco

This strainer and basket are made from polypropylene and the lid is clear polycarbonate. The locking ring has handles so it can be removed by hand. The ports are 6" flanged and it can be used on the Hydro 5000 pump or any other pump that has a 6" suction flange. This strainer is rated for 673 GPM flow and a maximum working pressure of 5 PSI.

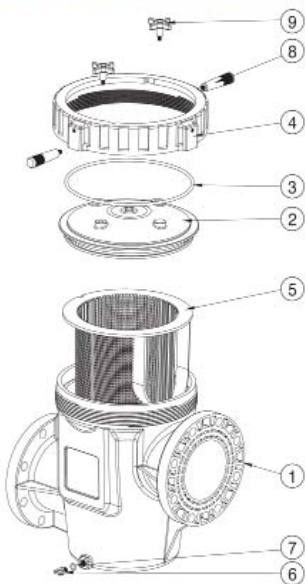
Item No	Description	Price
19B05008-PP	Strainer 6" - Polypropylene	\$967.02



HYDRO 5000 COMMERCIAL STRAINER

Hydro 5000 Strainer Parts

Dia #	Part #	Description	Price
1	63450580	PP Strainer Housing	POR
2	63450500	Lid 12" Clear	POR
3	62027	Lid O-ring BS452A	POR
4	620232	Lock Ring 12"	POR
5	63450520	Basket PP	POR
6	63402302	Drain Plug 1/4" BSP	POR
7	620193	Drain Plug O-ring BS112	POR
8	6202321	Handle	POR
9	AXFI68	CF Knob	POR



Hydro 5000 Pump Parts

Dia#	Part #	Description	Price
1	19B50110	Pump Housing	POR
2	19B5011	Drain Plug 1/4" NPT	POR
3	19B5012	Drain Plug 1/2" NPT	POR
5	19B5014	Cap Screw 3/8" - 16 x 1	POR
5A	19B5037	Cap Screw 1/2"-13 x 1	POR
6	19B5015	Seal Washer 7.5, 10, & 15 HP	POR
6A	19B5016	Seal Washer 20 HP	POR
7	19B5017	Impeller Gasket 7.5, 10, & 15 HP	POR
7A	19B5018	Impeller Gasket 20 HP	POR
8	19B5019	Impeller Washer 7.5, 10, & 15 HP	POR
8A	19B5020	Impeller Washer 20 HP	POR
9	19B5021	Impeller 7.5 HP	POR
9A	19B5022	Impeller 10 HP	POR
9B	19b5023	Impeller 15 HP	POR
9C	19B5024	Impeller 20 HP	POR
10	19B5025	Volute Gasket	POR
11	19B5026	Sleeve Gasket 7.5, 10, & 15 HP	POR
11A	19B5027	Sleeve Gasket 20 HP	POR
12	19B5028	Shaft Sleeve 7.5, 10, & 15 HP	POR
12A	19B5029	Shaft Sleeve 20 HP	POR
13	19B5030	Retaining Ring 7.5, 10, & 15 HP	POR
13A	19B5031	Retaining Ring 20 HP	POR
14	19B5032	Mechanical Shaft Seal 7.5, 10, & 15 HP	POR
14A	19B5033	Mechanical Shaft Seal 20 HP	POR
15	19B5034	Stud 1/2"- 13 x 1 1/2"	POR
16	19B5038	1/2" Lock Washer	POR
17	19B5036	Nut 1/2" - 13	POR
18	19B5014	Cap Screw 3/8" - 16 x 1" (7.5 HP)	POR
18A	19B5037	Cap Screw 1/2"- 13 x 1"	POR
19	19B5035	3/8" Lock Washer (7.5 HP)	POR
19A	19B5038	1/2" Lock Washer	POR
20	19B5039	Pump Bracket 7.5 HP	POR
20A	19B5040	Pump Bracket 10, & 15 HP**	POR
20B	19B5041	Pump Bracket 20 HP	POR
		Motors quoted on request, please provide HP, Volts & Phases	POR

** This bracket is also used on 7.5HP Single Phase Pumps

