

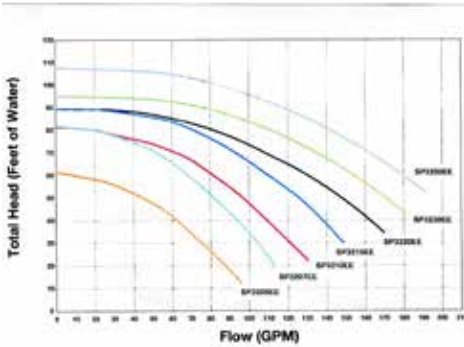
HAYWARD PUMPS & PARTS



Hayward Tristar Pumps

These are very efficient pumps with all-plastic construction. The strainer lid is clear, and comes off by hand. Suction and discharge are 2", and unions are included. The included unions fit 2" pipe inside and 2 1/2" pipe outside. Self-priming to 10' above water level. From 1/2 HP to 1 1/2 HP the standard motors are 115/208-230 volt and single phase and 2 thru 5 HP have 208-230 volt single phase motors. All models are available in 208/230/4603 phase and 575 volts and 3 phase, on special order.

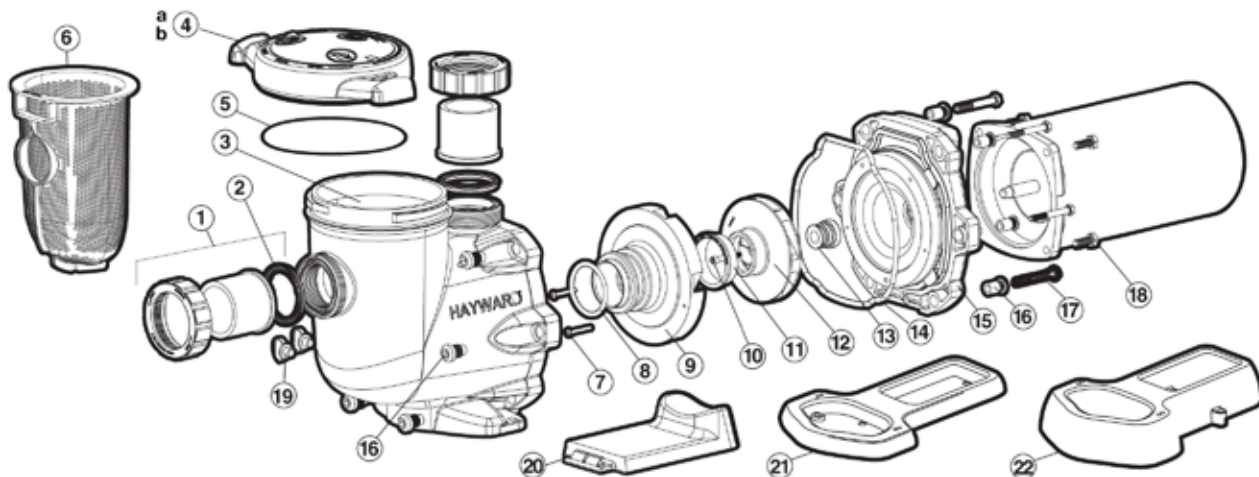
Item No.	Description		Price
SP3205EC	Tristar 1/2hp	115/208/230 1ph	\$725.17
SP3207EC	Tristar 3/4hp	115/208/230 1ph	\$812.21
SP3210EC	Tristar 1hp	115/208/230 1ph	\$866.27
SP3215EC	Tristar 1 1/2hp	115/208/230 1ph	\$952.61
SP3220EC	Tristar 2hp	208/230 1ph	\$1190.59
SP3230EC	Tristar 3hp	208/230 1ph	\$1428.57
SP3250EC	Tristar 5hp	208/230 1ph	\$2272.37
HCP3205C	Tristar 1/2hp	575v 3ph	\$1013.64
HCP3207C	Tristar 3/4hp	575v 3ph	\$1154.66
HCP3210C	Tristar 1hp	575v 3ph	\$1157.17
HCP3215C	Tristar 1 1/2hp	575V 3ph	\$1299.14
HCP3220C	Tristar 2hp	575v 3ph	\$1498.73
HCP3230C	Tristar 3hp	575v 3ph	\$1743.06
HCP3250C	Tristar 5hp	575v 3ph	\$2270.41



Tristar Replacement Parts

Item No.	Drwg #	Description	Price	Item No.	Drwg #	Description	Price
SPX3200UNKIT	1	Union Connector, 3 piece	\$67.68	SPX3215C	12	Impellor 1.5 hp, w/screw	\$59.32
SPX3200UG	2	Union Gasket, 2 pkg	\$18.40	SPX3220C	12	Impellor 2 hp, w/screw	\$69.74
SPX3200A	3	Strainer Housing	\$436.97	SPX3230C	12	Impellor 3 hp, w/screw	\$69.74
SPX3200DLS	4	Strainer Cover, w O-ring	\$110.87	SPX3230C5	12	Impellor 5 hp, w/screw	\$77.11
SPX3200S	5	Strainer Cover O-ring	\$19.77	SPX3200SA	13	Mechanical Seal, #PS-3890	\$22.11
SPX3200M	6	Strainer Basket	\$24.91	SPX3200T	14	Housing O-ring	\$12.77
SPX3200Z8	7	Diffuser Screws (2)	\$18.99	SPX3200E	15	Seal Plate	\$72.39
SPX4000Z1	8	Diffuser O-ring	\$24.91	SPX3200Z211	16	Housing Insert/spacer kit	\$33.26
SPX3200B3	9	Diffuser	\$53.52	SPX3200Z3	17	Housing Bolt	\$6.83
SPX3200Z1	10	Impellor Screw	\$10.60	SPX3200Z5	18	Motor Bolt	\$13.17
SPX3021R	11	Impellor Ring	\$10.72	SPX4000FG	19	Drain Plug w/o-ring	\$7.85
SPX3205C	12	Impellor 1/2 hp, w/screw	\$48.65	SPX3200GA	20	Motor Support Bracket	\$67.65
SPX3207C	12	Impellor 3/4 hp, w/screw	\$48.65	SPX3200WF	21	Motor Support Bracket	\$56.92
SPX3210C	12	Impellor 1hp, w/screw	\$44.70	SPX3200SR	22	Motor Support Bracket	\$56.92

Motors-Please enquire



Hayward HCP 3000 Series Pumps

These Hayward pumps are 3" suction by 3" discharge and available in 2 thru 7.5 HP. The strainer is 3" flanged and bolt on. This pump is very efficient and quiet and all motors are TEFC for reliability. The 2, 3 & 5HP are available in 208-230 single phase, and all pumps are available in 208-230/460 v & 3ph, or 575v & 3ph.

Item No.	Description	Price
HCP30203	2 HP 230/460 3ph	\$2093.36
HCP30303	3HP 230/460 3ph	\$2389.61
HCP30503	5HP 230/460 3ph	\$3566.16
HCP30703	7HP 230/460v 3ph	\$4654.96

575v 3ph quoted on request



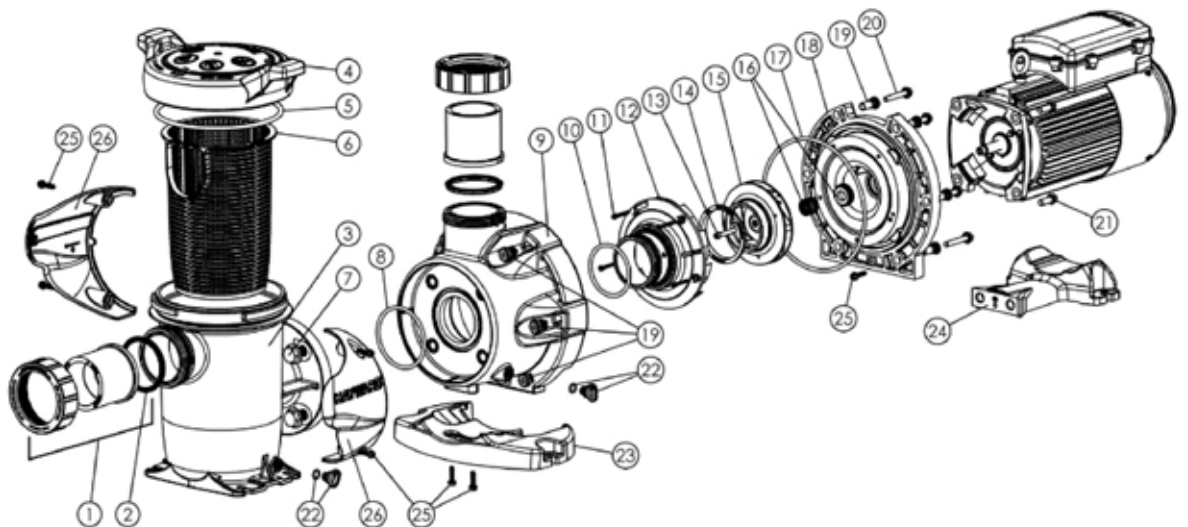
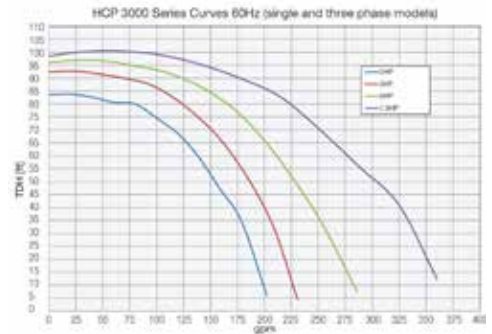
HCP 3000 Pump Parts

Item No.	Drwg #	Description	Price
HCXP3000UNKIT	1	Union Connector Kit	POR
HCXP3000UG	2	Union Gasket	POR
HCXP3000H	3	Strainer Housing w/plug	POR
HCXP3000DLS	4	Cover, lock ring & o-ring	POR
SPX4000S	5	Cover o-ring	POR
HCXP3000M	6	Strainer basket	POR
HCXP3000Z3	7	Strainer bolt/washer set of 4	POR
HCXP343V70	8	Flange o-ring	POR
HCXP3000A	9	Pump housing w/plug	POR
HCXP338V60	10	Diffuser o-ring	POR
SPX2700z3SSPAK4	11	Diffuser screws (4)	POR
HCXP3000B_	12	Diffuser, specify hp	POR
SPX3200Z1	13	Impellor screw	POR
HCXP300_R	14	Impellor ring, specify hp	POR
HCXP30_C	15	Impellor w/screw specify hp	POR
HCXP4000SAV	16	Shaft Seal Assembly	POR
HCXP369V70	17	Pump Housing o-ring	POR
HCXP3000E	18	Seal plate	POR
SPX3200Z211	19	Housing insert (6)	POR
SPX3200Z3	20	Housing bolt	POR
SPX3200Z34PAK4	21	Motor bolt (4)	POR
SPX4000FG	22	Drain plug w/o-ring	POR

Other parts & motors on request



Removable Strainer Basket



Hayward HCP 4000 Series Commercial Self Priming Pumps

These Hayward pumps are available in 5.5, 7.5, 10 and 12.5HP, and all are available in 230/460v 3ph or 575v 3ph. Note the 575v 3ph are special order. These pumps are all-plastic, with 4" suction and 4" discharge ports. The strainer lid is clear and removes by hand. These pumps are designed for medium head/high flow situations. Do not use where high head is required. A quiet and very efficient pump if properly sized. Replacing an old VM Series pump, and looking to get all plastic; this would be a good replacement.

Item No.	Description	Price
HCP40553	5.5hp 230/460v 3ph	\$6754.05
HCP40753	7.5hp 230/460v 3ph	\$7766.55
HCP401003	10hp 230/460v 3ph	\$8209.35
HCP401253	12.5hp 230/460v 3ph	\$8501.63

575v 3ph Quoted on request.

HCP 4000 Series Pump Parts

Item No.	Drwg #	Description	Price
HCXP6000A	1	Strainer Lid Bolt & nut set (4)	\$130.43
HCXP6001A	2	Strainer Cover c/w gskt	\$415.07
HCXP6014A	3	Cover o-ring	\$23.57
HCXP6002A	4 & 5	Strainer Basket c/w handle	\$478.86
HCXP6013A	7 & 8	Strainer drain plug w/o-ring	\$21.63
HCXP6022A	9 & 22	Strainer Body c/w o-ring	\$1612.43
HCXP6011A	10 & 22 & 23	Pump Casing /w o-rings	\$1023.26
HCXP6004A	11	Seal Set, 11, 14, 15, 16, 37	\$169.83
HCXP6005A	12 & 45	Diffuser w/screws 5.5 & 7.5hp	\$380.51
HCXP6006A	12 & 45	Diffuser w/screws 10 & 12hp	\$380.51
HCXP60	13	Imp, specify HP, w/#36 & 37	\$684.83
HCXP6017A	17	Seal Plate Set 11,14,15,16,17,37,41	\$427.92
HCXP6018A	31 & 38 & 39	Seal Plate screw set	\$91.37
HCXP6012A	18 & 48 & 49	Pump Support	\$123.52
HCXP6019A	24 & 25	Union Set (2) w/gskt	\$426.12
HCXP6021A	32 & 35	Bolt set (4) w/o-ring #23	\$99.88
HCXP6023A	34 & 43 & 47	Pump Support Bolt Set (4)	\$63.29

Motors on request

