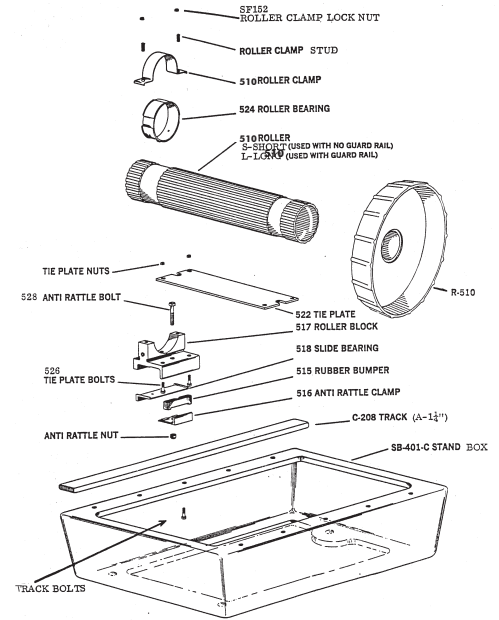


DIVE STAND PARTS

Durafirm Fulcrum Assembly

Model No	Description	Price
SF533	Roller clamp lock nut c/w stud	\$6.95
521	Roller clamp	\$16.05
524	Roller bearing	\$14.05
510S	Roller S-short with foot wheel	\$770.45
510L	Roller L-long with foot wheel	\$832.97
528	Anti rattle bolt c/w nut	\$6.95
522	Tie plate	\$110.15
517	Roller block assembly	\$175.55
518	Slide bearing	\$11.35
526	Tie plate bolts c/w nuts	\$5.25
515	Rubber bumper	\$14.25
516	Anti rattle clamp	\$22.10
C208A	Track (A-1 1/4")	\$120.15

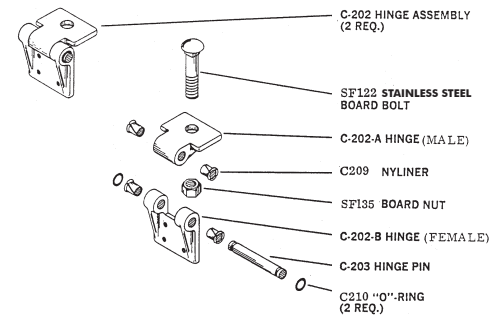


Miscellaneous Parts

MP 112	Vinyl channel kit 30" 8 channels w/glue kit	\$175.55
C207	Rail clamp	\$10.65
C207B	Rail clamp bolt specify length 1/2, 5/8, 3/4 or 7/8	\$1.75

Durafirm Hinge Assembly

Item No	Description	Price
SF122	5/8" x 3 1/2" Stainless Steel Bolt c/w nut / pr	\$56.85
C202A	Hinge (Male)	\$98.12
C209	Nyliner	\$3.85
C202B	Hinge (Female)	\$113.02
C203	Hinge Pin	\$22.08
C210	O-ring	\$3.85
C202	Hinge assembly	\$181.19
SF106	Aluminium hinge mounting bolt	\$4.95



NOTE: All Durafirm stand parts are available (railings, fulcrum box, legs, ladder, steps, etc.) as replacement parts. If parts you require are not listed, please inquire.

Diving Board Resurface Kit

Made by Kelly Technical this kit is suitable for all aluminum boards. It is exactly enough material to coat top & edges of one 16' board; it is supplied with roller and complete instructions.

Available in white, blue or turquoise.

Item No	Description	Price
16 12 24	Diving board resurface kit - turquoise	\$143.35

