

## COMMERCIAL FILTER SYSTEMS

Commercial Aquatic Supplies is able to supply filter systems to meet the needs of all public pools. When considering new or replacement filters for your pool it is important to understand the different types of filter systems.

### DE Filters - The Media

Diatomaceous earth, (DE) provides high quality filtration removing particles which can be as small as three to five microns in size. It is cheap and because it has many uses is readily available. It is heavy enough that it is not flushable and can block drains. It is classed as a hazardous material so must be disposed of properly. Perlite is an alternative media which can be used in DE filters to achieve almost the same filtration. It is lighter than DE making it easier to handle, specifically to get it in and out of filters. It is not classed as a hazardous so disposal can be as simple as flushing it down the drain.

### Vacuum or Open Pit DE Filters

These are the most common types of DE Filters. They are open tanks, typically below pool water level and filled by gravity. The pool pump sucks water through the filter and pushes it back to the pool. These types of filters are economical to build and offer better quality filtration in a smaller space than similar capacity sand filters. Maintenance is also easy, and there is very little water loss during use and maintenance.

### Pressure DE Filters

In these systems the DE filter elements are mounted in a pressure vessel, just like a sand filter, filling the need for a closed system which some pools require, while maintaining the DE advantages, but at a higher price.

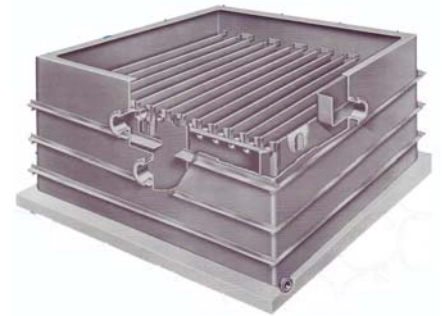
### Sand Filter Systems

Sand Filters are the most common filter systems. They are economical to purchase, install and maintain. The filtration is not as fine as DE, typically in the 15-20 micron range. The media is semi-permanent, back washing is easy, and they are available in all shapes and sizes, and can even be installed outdoors. Water consumption, primarily for backwashing is much higher than for DE filters. The advantages outweigh the disadvantages, making these the most popular filter systems in the marketplace currently.

### Pricing

Commercial Aquatic Supplies will provide specifications and quotations on filter types including pricing, installation, and delivery quotations. Large filter systems are not a stocked item.

- Astral • Eureka • Mer-made •
- Waterco • Neptune Benson • Stark •



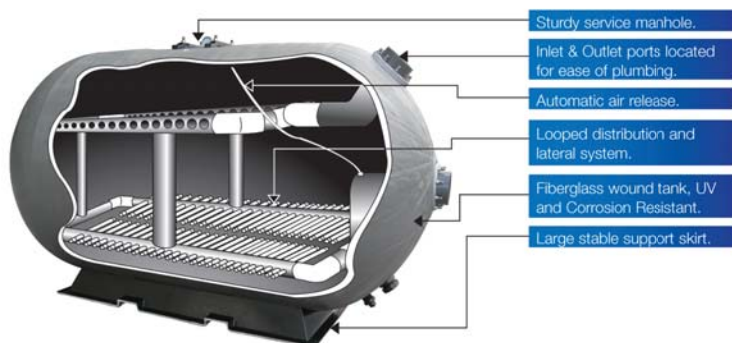
VACUUM DE FILTER



NEPTUNE BENSON PRESSURE DE FILTER



WATERCO VERTICAL SAND FILTER



WATERCO HORIZONTAL SAND FILTER



NEPTUNE BENSON STACKED HORIZONTAL SAND FILTERS